



Tubular Specialties Manufacturing, Inc.

13011 South Spring Street, Los Angeles, CA 90061-1685

Phone 800/Grab Bar (800/472-2227) or 310/515-4801

www.GrabBar.com • Fax 310/217-0653

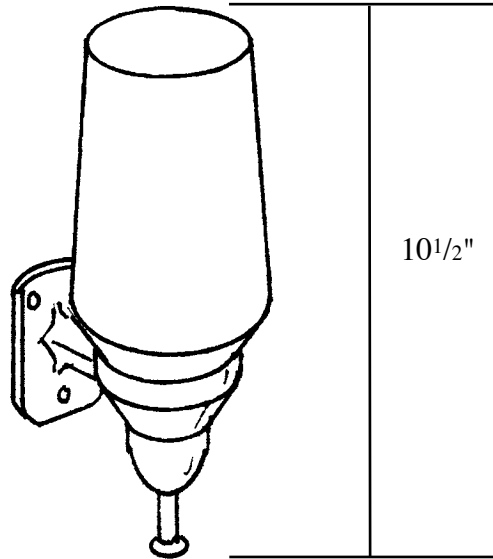
SD-35

Push-Up Soap Dispenser

Surface Mounted Liquid

Technical Data

Revised April 2006



Specification

Push-Up Soap Dispenser shall dispense 28 ounces (.82 liters) of soap, detergent or lotion. Unit shall be fabricated of tamper-resistant, chrome plated ABS plastic, a translucent white polyethylene soap container, and a corrosion-resistant ABS dispensing valve with stainless steel spring. Valve operation shall comply with ADA Accessibility Guidelines by requiring no more than 5 pounds (22.2 Newtons) pressure to actuate and require no grasping or twisting by operator.

Push-Up Soap Dispenser shall be Model SD-35 as manufactured by Tubular Specialties Manufacturing, 13011 South Spring Street, Los Angeles, California 90061, tel 800-Grab Bar.



Operation

A measure amount of soap is manually dispensed by pushing up against valve. Unit can be reloaded by unscrewing base from bracket collar, inverting unit and unscrewing soap container.

Soap will continue to feed properly until empty. Tank supply is replenished manually on cycle determined by maintenance needs. Soap level is continuously visible.



Installation

1. Unit is secured to wall or partition using #10 self-tapping screws (supplied by manufacturer).
2. For maximum usability and compliance with ADA Accessibility Guidelines, unit should be installed so that valve is 54" (1371mm) maximum above finished floor when clear side access is provided; 48" (1219mm) with forward reach

access only provided and 46" (1168mm) with side reach over an obstruction (such as a vanity). The recommended installation is 42" (1066mm) above finished floor, or 6" (152mm) minimum above washbasin.

3. Accessories should be inspected periodically to make sure their attachment to the wall is not loosening.



Guarantee

TSM SD-35 Push-Up Soap Dispenser is guaranteed against defects in workmanship and material for one year from shipping date.