



Since 1966

## Tubular Specialties Manufacturing, Inc.

13011 South Spring Street, Los Angeles, CA 90061-1685  
Phone 800/CALL TSM (800/225-5876) or 310/515-4801  
online www.grabbar.com • Fax 310/217-0653

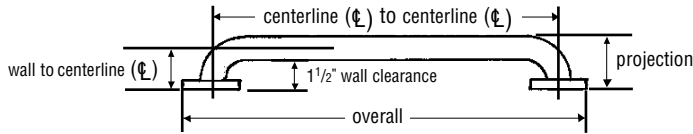


## Technical Data

Revised Feb. 2001

Page 1 of 2

# 1 1/2" O.D. Stainless Steel Grab Bars



**H** stands for 'half' and represents 1 1/2" x 18 gauge tubing. H is a heavy-duty size tubing that serves the dual purpose of providing either a handhold or, if preferred, a 'shelf' to lean upon. H meets or exceeds all building codes.



## Design Considerations

- TSM originated the snap-lock flange concept, which is a direct-to-wall design that is an improvement in strength, cost and ease of installation over set screw fastening systems.
- H stands for 'half' and represents 1 1/2" O.D. tubing. It is a heavy-duty tubing that serves the dual purpose of providing either a handhold or, if preferred, a 'shelf' to lean upon. H meets or exceeds all building codes.
- The standard wall tubing for grab bars is 18 gauge. However, 16 gauge tubing can be specified for extremely heavy duty applications; add (65) to the model number.
- It is recommended that bars or railings for marine, pool or spa applications be specified in a bright polished finish to resist oxidation. Type 316 stainless steel is also available for extra protection against

oxidation.

- TSM bars include 2" #10 stainless steel screws (51x5mm), which is important for two reasons:
  1. Strength: As stainless steel screws are very strong, they ensure the integrity of the bar.
  2. Rust-resistance: Many bars are installed in wet or damp areas, and stainless steel screws prevent unsightly rust from forming and spreading to the flange, then trickling down the wall.
- The effectiveness of grab bars as safety accessories depends entirely on a secure installation. All TSM grab bars exceed U.S. established guidelines for strength, but it is the responsibility of the design/build/install team to evaluate the specific wall conditions to determine the appropriate fasteners.
- Please check with local building inspectors for jurisdiction regarding codes affecting tubing O.D., etc.



## Strength

H Grab Bars support a 250 pound (114Kg) load when properly installed. *Caution:* A grab bar is only as strong as its anchoring devices

and the wall on which it is mounted. Grab bars should be inspected periodically to make sure their attachment to the wall is not loosening, oxidation.



## Suggested Architectural Specification

H Series Grab Bars from TSM.  
Tubular Specialties Manufacturing, Inc., Los Angeles, California,  
800/Grab Bar (800/472-2227).  
*Material:* Stainless steel type 304 (18-8), all welded construction.  
*Finish:* [#4 Satin] [#8 Bright] [Powdercoated in \_\_\_\_\_ (color choice)] [Plated in \_\_\_\_\_ (plating choice)].  
*Gripping Surface:* [Smooth] [Peened] [Knurled] [Ripple Grip] [Anti-Slip] [Ripple Grip with Anti-Slip].

*Tubing:* 1 1/2" x 18 gauge (38x1.2mm) with ends turned 90° by mandrel bending and heliarc welded to flanges to form a single structural unit.  
*Wall clearance:* 1 1/2" (38mm).  
*Flanges:* [Insert information from configuration page]  
*Installation Hardware:* 2" #10 (51x5mm) stainless steel screws.  
*Strength:* Supports a 250 pound (114Kg) load when properly installed.



## Installation

1. Grab bar is surface mounted at locations marked by an "S". In-wall backing is required in accordance with local building codes. If intended for a prefabricated shower or bathtub, secure and appropriate backing must be provided by the shower stall or bathtub manufacturer.
2. While local codes must be complied with in mounting grab bars,

the generally recommended height is 33" above floor level. Use grab bar as a template to pinpoint mounting hole placement.

3. It is the installer's responsibility to select fasteners that are appropriate for the wall condition and application. Mounting holes are 1/4" diameter.
4. Accessories should be inspected periodically to make sure their attachment to the wall is not loosening.

Manufacturer reserves the right to alter design or dimensions without formal notice and without incurring obligation.



### Guarantee

TSM H Series Grab Bars are guaranteed against defects in workmanship and material for one year from shipping date.



# Finish and Gripping Surface Series Numbers

## FINISHES

**Satin:** The standard finish, also known as #4 brushed finish, US 32D or BHMA 630.

**Bright:** A look that is similar to chrome, also known as #8 polished finish, US 32 or BHMA 629.

**Powdercoated:** Colors: White, Almond, Biscuit, Parchment, Light Mocha, Taupe, Rosy Taupe, Wheat, Palomino, Sun Gold, Nutmeg, Vanilla, Navy, Slate Blue, Gray, Seafoam Green, Forest Green, Verdigris, Turquoise, Pink, Red, Black.

**Plated:** All plated products have a clear baked enamel finish. Colors: Bright Brass, Satin Brass, Antique Brass, Antique Bronze, Satin Bronze, Black Nickel, Satin Nickel, Bright Copper, Bright Gold (24K), Satin Gold (24K).

## GRIPPING SURFACES

### Smooth

**Peening:** Texture is achieved with metallic balls shot with high pressure air jet on the surface of the tubing, which produces slight indentations.

**Knurling:** Cuts a diamond-shaped crosshatch onto the surface of the bar. Provides excellent slip resistance, but soap residue must be cleaned regularly out of the grooves so that they do not become slippery.

**Ripple Grip™:** Bubble pattern embossed into the tubing. Attractive in the standard satin finish or the mirror bright finish and also combines well with powdercoating or plating.

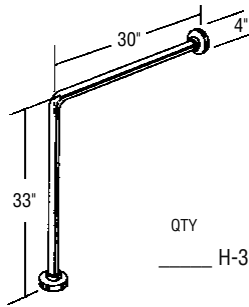
**Anti-Slip:** Non-slip coating applied to the surface of the bar. Has a similar appearance to peening but has more of a gritty feel. Peening, knurling and Ripple Grip™ are all integral to the tubing itself; Anti-Slip is a coating that is applied over the tubing.

**Ripple Grip™/Anti-Slip:** Ripple Grip™ can be specified with Anti-Slip for a more pronounced non-slip surface. Anti-Slip and Ripple Grip™ are the only non-slip surfaces available with powdercoated and plated finishes. (Anti-Slip is applied over the powdercoating or plating and Ripple Grip™ is under the powdercoating or plating.)

## Gripping Surface

	SMOOTH	PEENED	KNURLED	RIPPLE GRIP™	ANTI-SLIP	RIPPLE GRIP™ & ANTI-SLIP
<b>FINISH</b>	<b>SATIN</b> <input type="checkbox"/> H Tubing has smooth, satin finish. Flanges for 3012 and 901 are satin; 3033Y has bright flanges.	<input type="checkbox"/> H/P Gripping surfaces are peened. Tubing ends are satin. Flanges for 3012 and 901 are satin; 3033Y has bright flanges.	<input type="checkbox"/> H/K Gripping surfaces are peened. Tubing ends are satin. Flanges for 3012 and 901 are satin; 3033Y has bright flanges.	<input type="checkbox"/> H/RG Tubing is satin finish Ripple Grip™. Flanges for 3012 and 901 are satin; 3033Y has bright flanges.	<input type="checkbox"/> H/ASLP Gripping surface is Anti-Slip. Tubing ends are satin. Flanges for 3012 and 901 are satin; 3033Y has bright flanges.	<input type="checkbox"/> H/RG/ASLP Tubing is Ripple Grip™ with Anti-Slip applied over gripping surface. Tubing ends are satin. Flanges for 3012 and 901 are satin; 3033Y has bright flanges.
	<b>BRIGHT</b> <input type="checkbox"/> H/B Entire bar has mirror bright, smooth finish.	<input type="checkbox"/> H/B/P Gripping surfaces are peened. Tubing ends and flanges are mirror bright.	<input type="checkbox"/> H/B/K Gripping surfaces are knurled. Tubing ends and flanges are mirror bright.	<input type="checkbox"/> H/B/RG Tubing is mirror bright finish Ripple Grip™. Flanges are mirror bright.	<input type="checkbox"/> H/B/ASLP Gripping surface is Anti-Slip. Tubing ends and flanges are bright.	<input type="checkbox"/> H/B/RG/ASLP Tubing is Ripple Grip™ with Anti-Slip applied over gripping surface. Tubing ends and flanges are mirror bright.
	<b>POWDERCOATED</b> <input type="checkbox"/> H/POWD Entire bar has smooth powdercoated finish. Powdercoated Color: _____	N/A	N/A	<input type="checkbox"/> H/POWD/RG Entire bar has powdercoated finish. Tubing is Ripple Grip™. Powdercoated Color: _____	<input type="checkbox"/> H/POWD/ASLP Entire bar has powdercoated finish. Gripping surface is Anti-Slip, which is applied over the powdercoated finish. Powdercoated Color: _____	<input type="checkbox"/> H/POWD/RG/ASLP Entire bar has powdercoated finish. Tubing is Ripple Grip™ with Anti-Slip applied over the powdercoated finish. Powdercoated Color: _____
	<b>PLATED</b> <input type="checkbox"/> H/PLAT Entire bar has smooth plated finish. Plated Color: _____	N/A	<input type="checkbox"/> H/PLAT/K Entire bar has plated finish. Gripping surfaces are knurled. Plated Color: _____	<input type="checkbox"/> H/PLAT/RG Entire bar has plated finish. Tubing is Ripple Grip™. Plated Color: _____	<input type="checkbox"/> H/PLAT/ASLP Entire bar has plated finish. Gripping surface is Anti-Slip, which is applied over the plating. Plated Color: _____	<input type="checkbox"/> H/POWD/RG/ASLP Entire bar has plated finish. Tubing is Ripple Grip™ with Anti-Slip applied over the plated finish. Plated Color: _____

### 3033Y Wall to Floor Bar



Exceptionally sturdy design allows surface mounting without outrigger or extension. Satin stainless steel tubing and bright chrome plated brass cover flanges slip over steel liners attached to wall and floor. *Not recommended for water environment such as a shower.*

*Add to specification:*

Flanges: Steel liner inserts 12" into wall and floor tubing; flange has four mounting holes. Cover plate is chrome plated brass, 4" diameter.

QTY

\_\_\_\_\_ H-3033Y

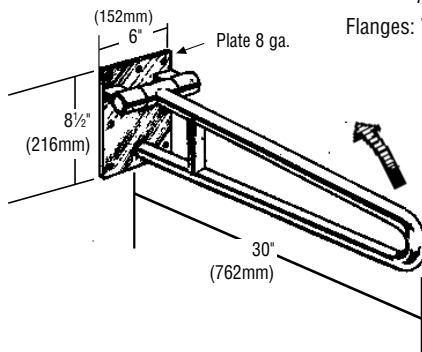
Or create your own size: H-3033YM/CS-1 @ \_\_\_\_\_ horizontal (max 42") x \_\_\_\_\_ vertical (max 42")  
*(List horizontal dimension first)*

### 3012 Swingup Bar

Bar swings up out of the way when not in use and is lowered into position when needed. The bar moves smoothly and easily due to adjustable tension in the hinge which also prevents it from free falling. Add suffix -PD for toilet paper dispenser.

*Add to specification:*

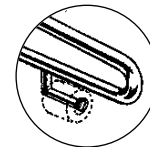
Flanges: Wall plate is 8 gauge 6" x 8 1/2" with seven mounting holes.



QTY

\_\_\_\_\_ H-3012

\_\_\_\_\_ H-3012-PD



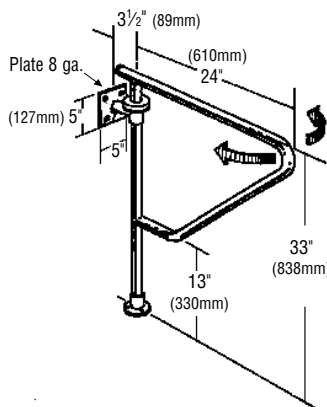
**3012-PD**

### 901 Swingaway Bar

Bar swings out of way when not in use. A simple lifting motion allows user to lock arm securely in any of three positions 90° apart. To eliminate maintenance and repairs, no springs are used. Add suffix -PD for toilet paper dispenser.

*Add to specification:*

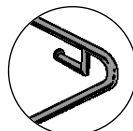
Flanges: Wall plate is 8 gauge 5" x 5" square with four mounting holes; floor flange is round 8 gauge with three mounting holes.



QTY

\_\_\_\_\_ H-901

\_\_\_\_\_ H-901-PD



**901-PD**

### 6011 Floor to Ceiling Grab Bar

Tubing is 16 gauge. The floor flange is welded; the sleeved ceiling flange attaches to the tubing with set screws to facilitate installation.

*Add to specification:*

Flanges: Floor flange is exposed screw 8 gauge with three mounting holes; ceiling flange is concealed screw 8 gauge with three mounting holes.

QTY

\_\_\_\_\_ H-6011 @ 96"

\_\_\_\_\_ H-6011 @ 102"

\_\_\_\_\_ H-6011 @ 108"

\_\_\_\_\_ H-6011 @ 114"

\_\_\_\_\_ H-6011 @ 120"

\_\_\_\_\_ H-6011 @ 126"

\_\_\_\_\_ H-6011 @ 132"

\_\_\_\_\_ H-6011 @ 138"

\_\_\_\_\_ H-6011 @ 144"

Or create your own length:

\_\_\_\_\_ H-6011 @ \_\_\_\_\_

