



Tubular Specialties Manufacturing, Inc.

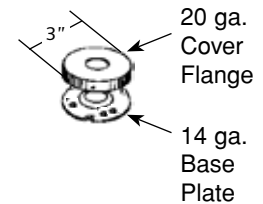
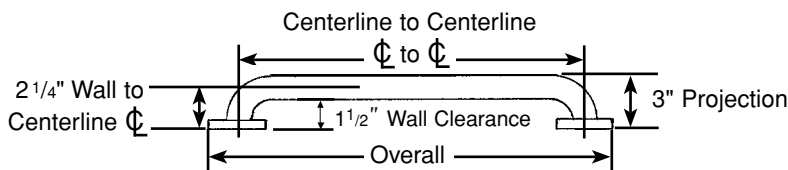
13011 South Spring Street, Los Angeles, CA 90061-1685
 Phone 800/Grab Bar (800/472-2227) or 310/515-4801
 www.GrabBar.com • Fax 310/217-0653

H/CS-1

Technical Data

Revised August 2010
 Page 1 of 7

1½" O.D. Stainless Steel Grab Bars Round Concealed Screw Snap-Lock Flanges



Basic Specification

Grab Bar with Round Snap-Lock Flange Covers for concealed mounting shall be type 304 stainless steel alloy 18-8. Tubing shall be 1½" diameter (32mm) x 18 gauge (1.2mm). Wall clearance shall be 1½" (38mm). Snap-lock cover shall be 20 gauge (.9mm). Flange shall be 14 gauge thick and shall be heliarc welded to tubing with a continuous concealed bead to form a single structural unit. End flanges and center posts (if any) shall have

five (5) ¼" diameter (6.4mm) mounting holes to ease installation access. All exposed surfaces shall have satin finish and shall be protected during shipment with a plastic bag.

1½" Stainless Steel Grab Bar with Round Concealed Screw Snap-Lock Flanges shall be model H/CS-1 as manufactured by Tubular Specialties Manufacturing, 13011 South Spring Street, Los Angeles, California 90061, tel 800-Grab Bar.



Specification for Non-Slip Surface

Grab Bar with Round Snap-Lock Flange Covers for concealed mounting shall be type 304 stainless steel alloy 18-8. Tubing shall be 1½" diameter (32mm) x 18 gauge (1.2mm). Wall clearance shall be 1½" (38mm). Snap-lock cover shall be 20 gauge (.9mm). Flange shall be 14 gauge thick and shall be heliarc welded to tubing with a continuous concealed bead to form a single structural unit. End flanges and center posts (if any) shall have five (5) ¼" diameter (6.4mm) mounting holes to ease installation access. All exposed surfaces shall have satin finish with non-slip

surface [/P suffix for peened] [/K suffix for knurled] [/RG suffix for Ripple Grip™] [/ASLP suffix for Anti-Slip] and shall be protected during shipment with a plastic bag.

1½" Stainless Steel Grab Bar with Round Concealed Screw Snap-Lock Flanges and Non-Slip Surface shall be model [H/CS-1/P] [H/CS-1/K] [H/CS-1/RG™] [H/CS-1/ASLP] as manufactured by Tubular Specialties Manufacturing, 13011 South Spring Street, Los Angeles, California 90061, tel 800-Grab Bar.



Specification for Powdercoated Surface

Grab Bar with Round Snap-Lock Flange Covers for concealed mounting shall be type 304 stainless steel alloy 18-8. Tubing shall be 1½" diameter (32mm) x 18 gauge (1.2mm). Wall clearance shall be 1½" (38mm). Snap-lock cover shall be 20 gauge (.9mm). Flange shall be 14 gauge thick and shall be heliarc welded to tubing with a continuous concealed bead to form a single structural unit. End flanges and center posts (if any) shall have five (5) ¼" diameter (6.4mm) mounting holes to ease installation access. All exposed surfaces shall have powdercoated finish in [White] [Almond] [Parchment] [Light Mocha] [Taupe] [Rosy Taupe]

[Wheat] [Nutmeg] [Vanilla] [Navy] [Slate Blue] [Gray] [Seafoam Green] [Forest Green] [Verdigris] [Turquoise] [Pink] [Red] [Black] and shall be protected during shipment with a plastic bag.

1½" Stainless Steel Grab Bar with Round Concealed Screw Snap-Lock Flanges and Powdercoated Surface shall be model H/CS-1/POWD as manufactured by Tubular Specialties Manufacturing, 13011 South Spring Street, Los Angeles, California 90061, tel 800-Grab Bar.



TSM H/CS-1 Grab Bars are guaranteed against defects in workmanship and material for one year from shipping date.



Specification for Plated Surface

Grab Bar with Round Snap-Lock Flange Covers for concealed mounting shall be type 304 stainless steel alloy 18-8. Tubing shall be 1½" diameter (32mm) x 18 gauge (1.2mm). Wall clearance shall be 1½" (38mm). Snap-lock cover shall be 20 gauge (.9mm). Flange shall be 14 gauge thick and shall be heliarc welded to tubing with a continuous concealed bead to form a single structural unit. End flanges and center posts (if any) shall have five (5) ¼" diameter (6.4mm) mounting holes to ease installation access. All exposed surfaces shall be plated [Bright Brass] [Satin Brass]

[Antique Brass] [Antique Bronze] [Satin Bronze] [Black Nickel] [Bright Copper]. The plating shall have a clear baked enamel finish and shall be protected during shipment with a plastic bag.

1½" Stainless Steel Grab Bar with Round Concealed Screw Snap-Lock Flanges and Plated Finish shall be model H/CS-1/PLAT as manufactured by Tubular Specialties Manufacturing, 13011 South Spring Street, Los Angeles, California 90061, tel 800-Grab Bar.



Design Considerations: Tubing & Flange

- TSM originated the snap-lock flange concept, which is a direct-to-wall design that is an improvement in strength, cost and ease of installation over set screw fastening systems.
- H stands for 'half' and represents 1½" O.D. tubing. H is a heavy-duty size tubing that serves the dual purpose of providing either a handhold or, if preferred, a 'shelf' to lean upon. H meets or exceeds all U.S. building codes.
- The standard wall tubing for grab bars is 18 gauge. However, 16 gauge tubing can be specified for extremely heavy duty applications; add (65) to the model number.
- It is recommended that bars or railings for marine, pool or spa applications be specified in a bright polished finish to resist oxidation. Type 316 stainless steel is also available for extra protection against oxidation.
- Please check with local building inspectors for jurisdiction regarding codes affecting tubing O.D., etc.
- Satin:** The standard finish, also known as #4 brushed finish, US 32D or BHMA 630.
- Bright:** A look that is similar to chrome, also known as #8 polished finish, US 32 or BHMA 629.



Design Considerations: Non-Slip Surfaces

- Peening:** Texture is achieved with metallic balls shot with high pressure air jet on the surface of the tubing, which produces slight indentations.
- Knurling:** Cuts a diamond-shaped crosshatch onto the surface of the bar. Provides helpful slip resistance when clean, but soap residue must be cleaned regularly out of the grooves so that they do not become slippery.
- Ripple Grip™:** Bubble pattern embossed into the tubing. Attractive in the standard satin finish or the mirror bright finish and also combines well with powdercoating or plating.
- Anti-Slip:** Non-slip coating applied to the surface of the bar. Has a similar appearance to peening but has more of a gritty feel. Peening, knurling and Ripple Grip™ are all integral to the tubing itself; Anti-Slip is a coating that is applied over the tubing.
- Ripple Grip™/Anti-Slip:** Ripple Grip™ can be specified with Anti-Slip for a more pronounced non-slip surface. Anti-Slip and Ripple Grip™ are the only non-slip surfaces available with powdercoated and plated finishes. (Anti-Slip is applied over the powdercoating or plating and Ripple Grip™ is under the powdercoating or plating.)

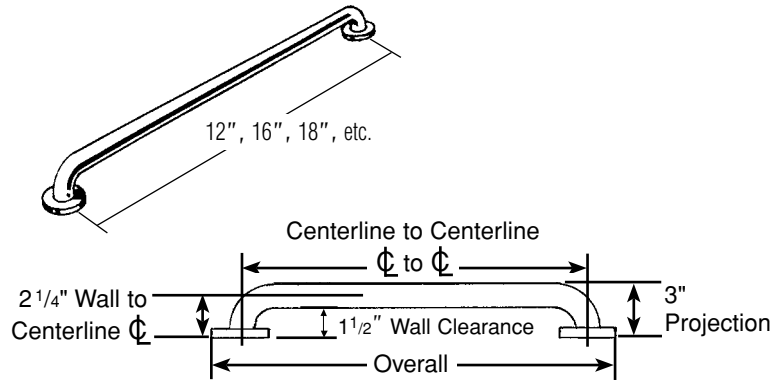


Installation

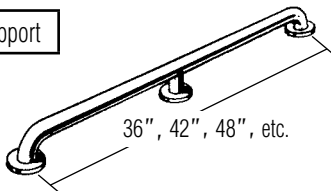
- Grab bar is surface mounted. Use grab bar as template to mark mounting hole locations and pre-drill holes. There are five mounting holes from which to choose on each flange to facilitate installation access. Appropriate anchoring and backing must be provided in accordance with local building codes or as specified on Architects Plans prior to wall finishing. If intended for a prefabricated shower or bathtub, secure and appropriate backing must be provided by the shower stall or bathtub manufacturer.
- Install unit so that the top of the grab bar is 33" (840) minimum above finished floor (AFF) to 36" (915) maximum AFF. Anchors are available from TSM and must be specified separately for each grab bar style scheduled (see http://grabbar.com/Catalog_825_pdf/825.pg23.pdf)
- It is the installer's responsibility to select fasteners that are appropriate for the wall condition and application. Mounting holes are ¼" diameter (6mm).
- After mounting grab bar base flange securely onto wall, position locking dimples on cover flange over upsets on base flange and snap into place.
- Accessories should be inspected periodically to make sure their attachment to the wall is not loosening.

Basic Straight Bar

Quantity: Basic Straight Bar	
_____ H-12/CS-1 (305mm)	_____ H-36/CS-1 (914mm)
_____ H-16/CS-1 (406mm)	_____ H-40/CS-1 (1016mm)
_____ H-18/CS-1 (457mm)	_____ H-42/CS-1 (1067mm)
_____ H-24/CS-1 (610mm)	_____ H-48/CS-1 (1219mm)
_____ H-30/CS-1 (762mm)	_____ H-52/CS-1 (1321mm)
_____ H-32/CS-1 (813mm)	_____ H-54/CS-1 (1372mm)
Custom Size: _____ H- _____ /CS-1	



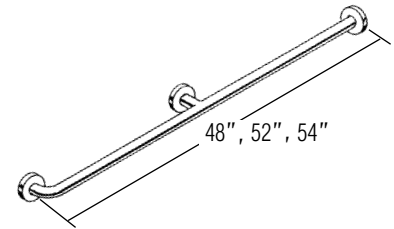
"M" Adds a Mid Support



Quantity: Grab Bar with Mid Support	
_____ H-36M/CS-1	_____ H-60M/CS-1
_____ H-42M/CS-1	_____ H-72M/CS-1
_____ H-48M/CS-1	_____ H-84M/CS-1
_____ H-52M/CS-1	_____ H-96M/CS-1
_____ H-54M/CS-1	_____ H-108M/CS-1
Custom Size: _____ H- _____ /CS-1	

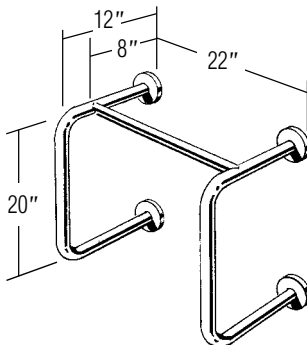
"CM" is a Corner Mount

Quantity: Corner Mount Grab Bar	
_____ H-48CM/CS-1	
_____ H-52CM/CS-1	
_____ H-54CM/CS-1	
Custom Size: _____ H- _____ CM/CS-1	

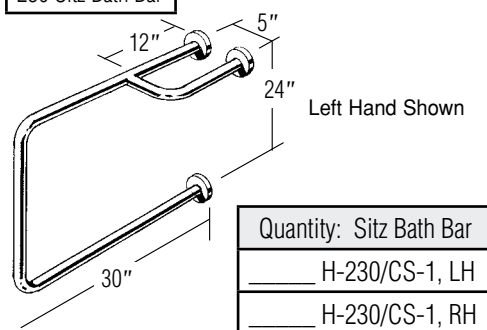


202 Urinal Bar

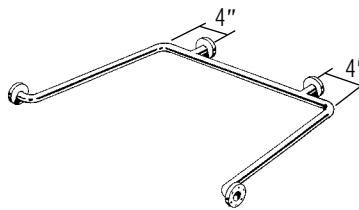
Quantity: Urinal Bar
H-202/CS-1



230 Sitz Bath Bar



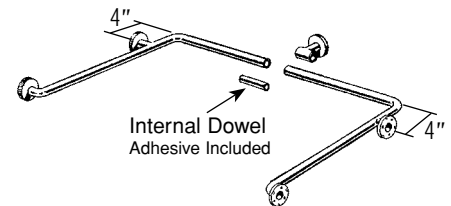
483 Wraparound Bar



Quantity: Wraparound Bar	
_____ H-483/CS-1 @ 48" x 48" x 48" Centerline Dimensions	
_____ H-483M/CS-1 @ 30" x 60" x 30" Centerline Dimensions	
To order a custom size 483M, specify wall dimensions (TSM will calculate the centerline dimensions upon fabrication)	

The 483 has smooth, one-piece construction with no sleeves.

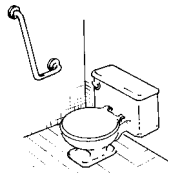
483/C-70 Wraparound Bar with Sleeved Mid Support



Quantity: Wraparound Bar with Sleeved Mid Support	
_____ H-483/C-70/CS-1 @ 48" x 48" x 48" Centerline Dimensions	
_____ H-483M/C-70/CS-1 @ 30" x 60" x 30" Centerline Dimensions	
To order a custom size 483M/C-70, specify wall dimensions (TSM will calculate the centerline dimensions upon fabrication)	

The 483/C-70 is fabricated and shipped in components with sleeved mid-support covering joint connection.

832 Hockey Stick

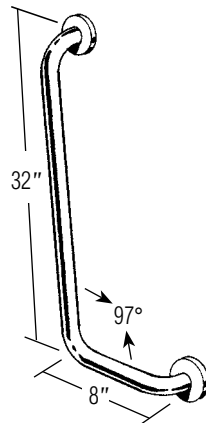


Right Hand Shown

Quantity: Hockey Stick

____ H-832/CS-1, RH

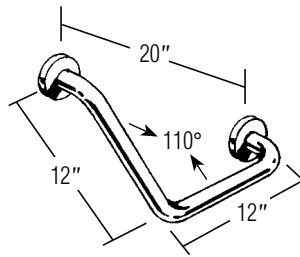
____ H-832/CS-1, LH



901 Swingaway Grab Bar

Only available in R-3 and CS-3 flanges. Please see H/R-3 and H/CS-3 Tech Data.

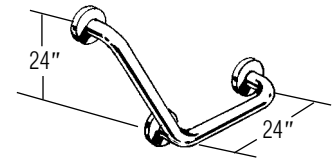
1220 Boomerang Bar



Quantity: Boomerang Bar

____ H-1220/CS-1

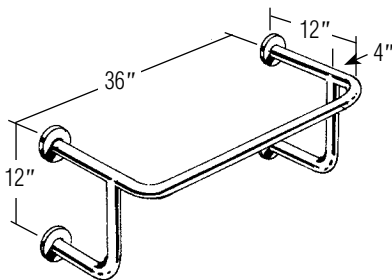
1220T Boomerang Bar with Center Support



Quantity: Boomerang Bar with Center Support

____ H-1220T/CS-1

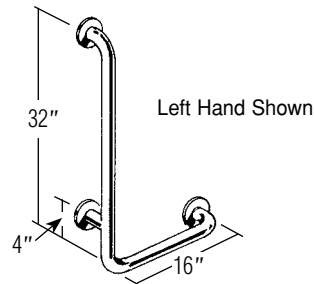
1236 Wall Suspended Tub Bar



Quantity: Wall Suspended Tub Bar

____ H-1236/CS-1

1632 Horizontal/Vertical Bar

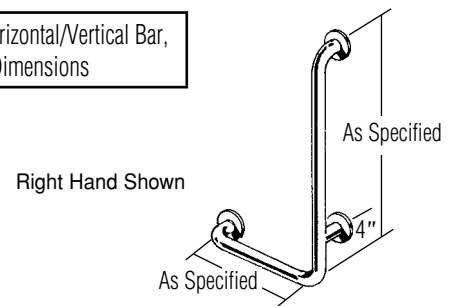


Quantity: Horizontal/Vertical Bar

____ H-1632/CS-1, LH

____ H-1632/CS-1, RH

1632M Horizontal/Vertical Bar, Modified Dimensions

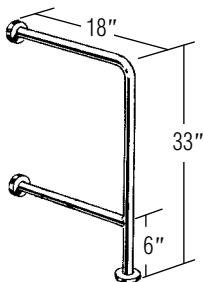


Horizontal/Vertical Bar, Modified Dimensions		
Quantity	Horizontal	Vertical
____ H-1632M/CS-1, RH @	12" x	24"
____ H-1632M/CS-1, RH @	18" x	32"
____ H-1632M/CS-1, RH @	24" x	36"
____ H-1632M/CS-1, RH @	24" x	48"
____ H-1632M/CS-1, LH @	12" x	24"
____ H-1632M/CS-1, LH @	18" x	32"
____ H-1632M/CS-1, LH @	24" x	36"
____ H-1632M/CS-1, LH @	24" x	48"

To order a custom size H-1632M/CS-1, specify horizontal dimension first:

____ H-1632M/CS-1, RH @	____ x	____
____ H-1632M/CS-1, LH @	____ x	____

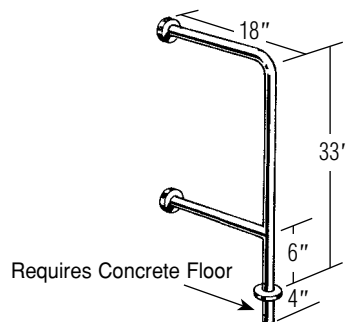
1833 Drinking Fountain Bar



Quantity: Drinking Fountain Bar

____ H-1833/CS-1

1833WX Drinking Fountain Bar with 4" Extension



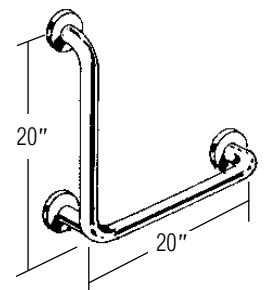
Quantity: Drinking Fountain Bar with 4" Extension

____ H-1833WX/CS-1

2010 Tub Entry Bar

Only available in 1" (S) and 1½" O.D. Please see S/R-3, S/CS-3, Q/R-3 or Q/CS-3 Tech Data.

2020 Combination Grab Bar



Quantity: Combination Grab Bar

____ H-2020/CS-1

H/CS-1 2040 - 2245

Tech Data, Page 5 of 7

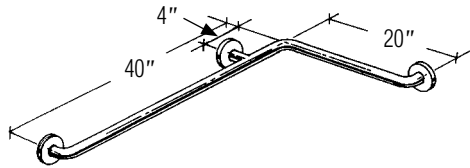
1½" Stainless Steel Grab Bar, Round Concealed Screw Flanges

Dimensions are centerline unless noted otherwise

Tubular Specialties Manufacturing, Inc.
13011 South Spring Street, Los Angeles, CA 90061-1685
Phone 800/Grab Bar (800/472-2227) or 310/515-4801
www.GrabBar.com • Fax 310/217-0653



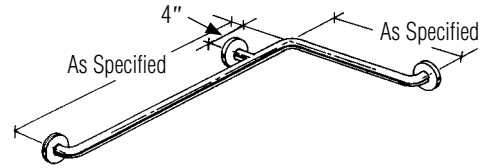
2040 Horizontal Corner Bar



Quantity: Horizontal Corner Bar

____ H-2040/CS-1

2040M Horizontal Corner Bar, Modified Dimensions

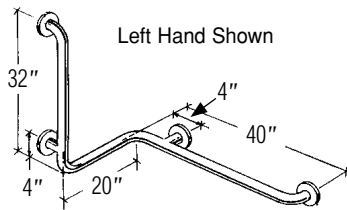


Horizontal Corner Bar, Modified Dimensions

Quantity	Length	Length	Minimum Wall Dimensions
____ H-2040M/CS-1 @	16" x	31"	19 ⁵ / ₈ " x 34 ⁵ / ₈ "
____ H-2040M/CS-1 @	24" x	24"	27 ⁵ / ₈ " x 27 ⁵ / ₈ "
____ H-2040M/CS-1 @	24" x	36"	27 ⁵ / ₈ " x 39 ⁵ / ₈ "
____ H-2040M/CS-1 @	24" x	48"	27 ⁵ / ₈ " x 51 ⁵ / ₈ "
____ H-2040M/CS-1 @	36" x	48"	39 ⁵ / ₈ " x 51 ⁵ / ₈ "
____ H-2040M/CS-1 @	36" x	52"	39 ⁵ / ₈ " x 55 ⁵ / ₈ "
____ H-2040M/CS-1 @	36" x	54"	39 ⁵ / ₈ " x 57 ⁵ / ₈ "
____ H-2040M/CS-1 @	42" x	52"	45 ⁵ / ₈ " x 55 ⁵ / ₈ "
Or specify a custom size H-2040M/CS-1:			
____ H-2040M/CS-1 @	____ x	____	

Standard wall clearance is 1 ½"

2040V Horizontal Corner Bar with Vertical Arm

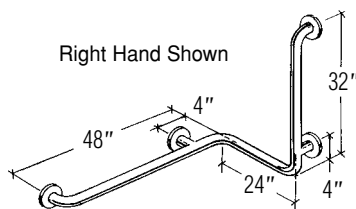


Quantity: Horizontal Corner Bar with Vertical Arm

____ H-2040V/CS-1, LH

____ H-2040V/CS-1, RH

2040VM Horizontal Corner Bar with Vertical Arm, Modified Dimensions

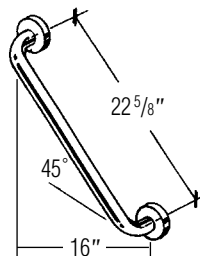


Quantity: Horizontal Corner Bar with Vertical Arm, Modified Dimensions

____ H-2040VM/CS-1, RH @ 24" x 48" x 32"

____ H-2040VM/CS-1, LH @ 24" x 48" x 32"

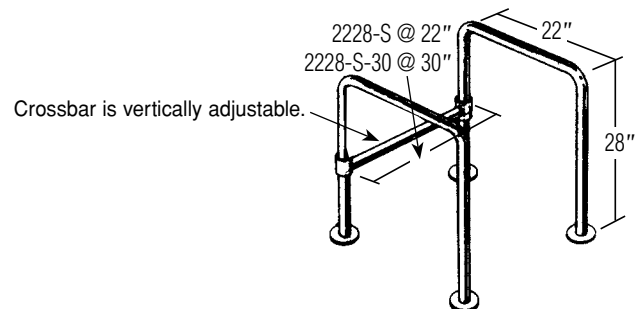
2245 45° Inclined Bar



Quantity: 45° Inclined Bar

____ H-2245/CS-1

2228-S Floor Mounted Straddle Bar



2228-S-30 has 30" crossbar width for wheelchair accessibility.

Quantity: Floor Mounted Straddle Bar

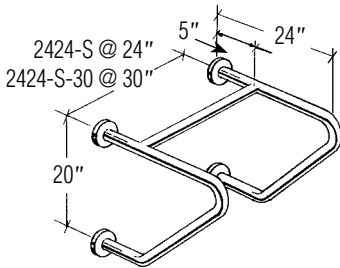
____ H-2228-S/CS-1

____ H-2228-S-30/CS-1



TSM H/CS-1 Grab Bars are guaranteed against defects in workmanship and material for one year from shipping date.

2424-S Straddle Bar



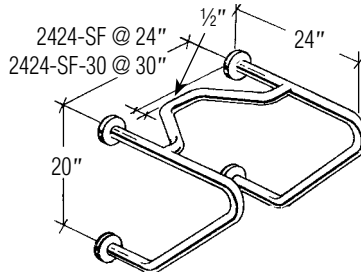
Quantity: Straddle Bar

____ H-2424S/CS-1

____ H-2424S-30/CS-1

2424S-30 has 30" crossbar width for wheelchair accessibility.

2424-SF Straddle Bar for Flush Valve



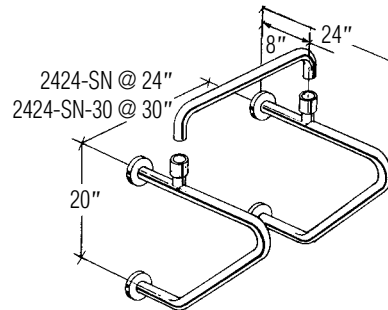
Quantity: Straddle Bar for Flush Valve

____ H-2424SF/CS-1

____ H-2424SF-30/CS-1

2424-SF-30 has 30" crossbar width for wheelchair accessibility.

2424-SN Straddle Bar for Tank Toilet



Quantity: Straddle Bar for Tank Toilet

____ H-2424SN/CS-1

____ H-2424SN-30/CS-1

____ H-2424SNR/CS-1

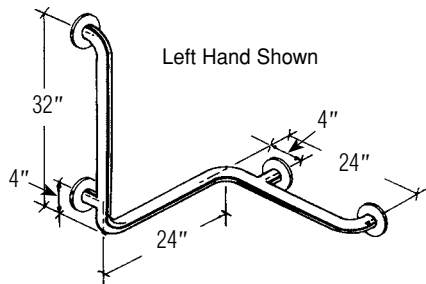
____ H-2424SNR-30/CS-1

Dimension from top of tubular arm to centerline of horizontal arm is 5½". Adhesive is included.

For removable crossbar with set screws, specify 2424-SNR.

2424-SN-30 and 2424-SNR-30 have 30" crossbar width for wheelchair accessibility.

2424-V Shower Bar with Vertical Arm

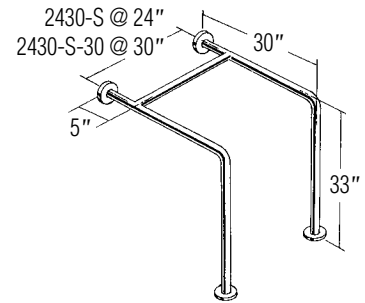


Quantity: Shower Bar with Vertical Arm

____ H-2424V/CS-1, LH

____ H-2424V/CS-1, RH

2430-S Wall to Floor Straddle Bar



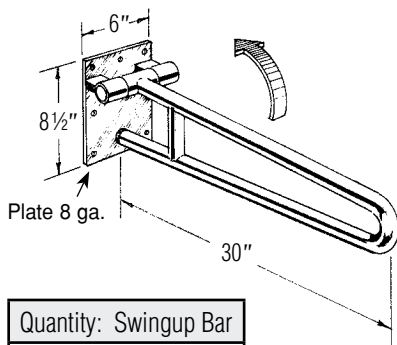
2430-S-30 has 30" crossbar width for wheelchair accessibility.

Quantity: Wall to Floor Straddle Bar

____ H-2430-S/CS-1

____ H-2430-S-30/CS-1

3012 Swingup Bar



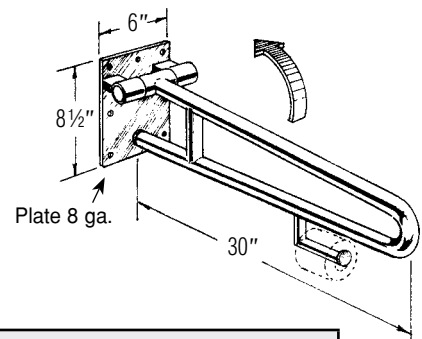
Quantity: Swingup Bar

____ H-3012

Bar swings up out of the way when not in use and is lowered into position when needed. The bar moves smoothly and easily due to tension in the hinge which also prevents it from free falling.

Specify 3012-PD for optional toilet paper dispenser.

3012-PD Swingup Bar with TP Dispenser



Quantity: Swingup Bar with TP Dispenser

____ H-3012-PD

H/CS-1

3033 - 3636V

Tech Data, Page 7 of 7

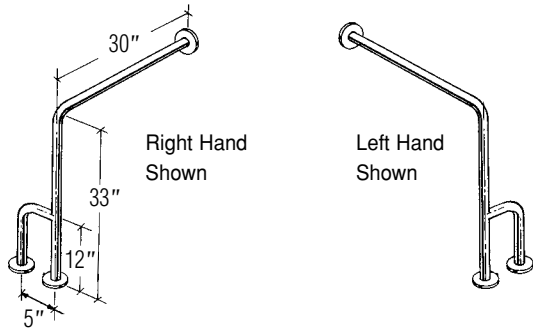
1 1/2" Stainless Steel Grab Bar, Round Concealed Screw Flanges

Dimensions are centerline unless noted otherwise

Tubular Specialties Manufacturing, Inc.
 13011 South Spring Street, Los Angeles, CA 90061-1685
 Phone 800/Grab Bar (800/472-2227) or 310/515-4801
 www.GrabBar.com • Fax 310/217-0653

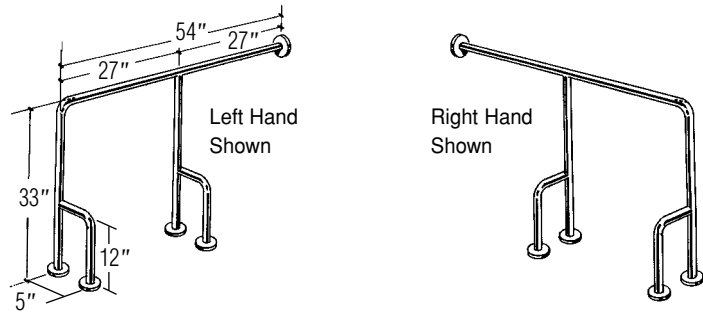


3033 Wall-to-Floor Bar with Outrigger



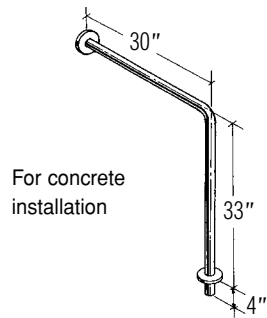
Quantity: Wall-to-Floor Bar with Outrigger
 _____ H-3033/CS-1, RH
 _____ H-3033/CS-1, LH

3033D Wall-to-Floor Bar with Double Outrigger



Quantity: Wall-to-Floor Bar with Double Outrigger
 _____ H-3033D/CS-1, LH
 _____ H-3033D/CS-1, RH

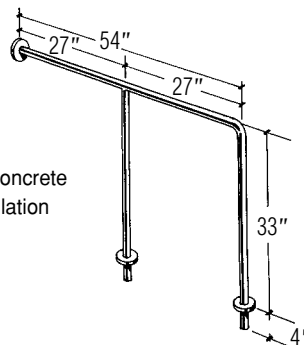
3033WX Wall-to-Floor Bar with 4" Extension



For concrete installation

Quantity: Wall-to-Floor Bar with 4" Extension
 _____ H-3033WX/CS-1

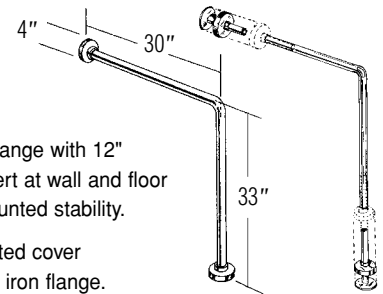
3033DWX Wall-to-Floor Bar with 4" Extension



For concrete installation

Quantity: Wall-to-Floor Bar with Double 4" Extension
 _____ H-3033DWX/CS-1

3033Y Wall to Floor Bar with 4" Extension

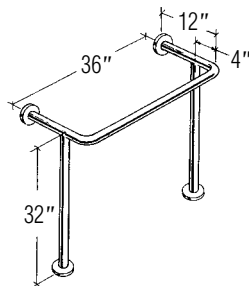


Includes iron flange with 12" reinforcing insert at wall and floor for surface-mounted stability.

4" Chrome-plated cover flange fits over iron flange.

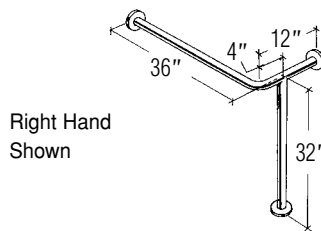
Quantity: Wall-to-Floor Bar with 4" Extension
 _____ H-3033Y

3236 Floor-Mounted Tub Rail



Quantity: Floor-Mounted Tub Rail
 _____ H-3236/CS-1

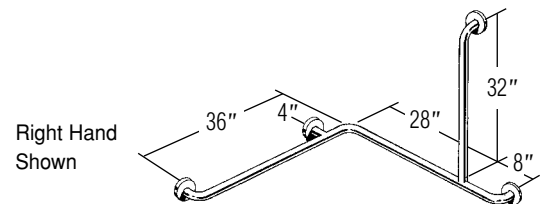
3236-C Floor/Corner Mounted Tub Bar



Right Hand Shown

Quantity: Floor/Corner Mounted Tub Bar
 _____ H-3236-C/CS-1, RH
 _____ H-3236-C/CS-1, LH

3636V Tub/Shower Bar



Right Hand Shown

Quantity: Floor/Corner Mounted Tub Bar
 _____ H-3236V/CS-1, RH
 _____ H-3236V/CS-1, LH



TSM H/CS-1 Grab Bars are guaranteed against defects in workmanship and material for one year from shipping date.