



Tubular Specialties Manufacturing, Inc.

13011 South Spring Street, Los Angeles, CA 90061-1685

Phone 800/Grab Bar (800/472-2227) or 310/515-4801

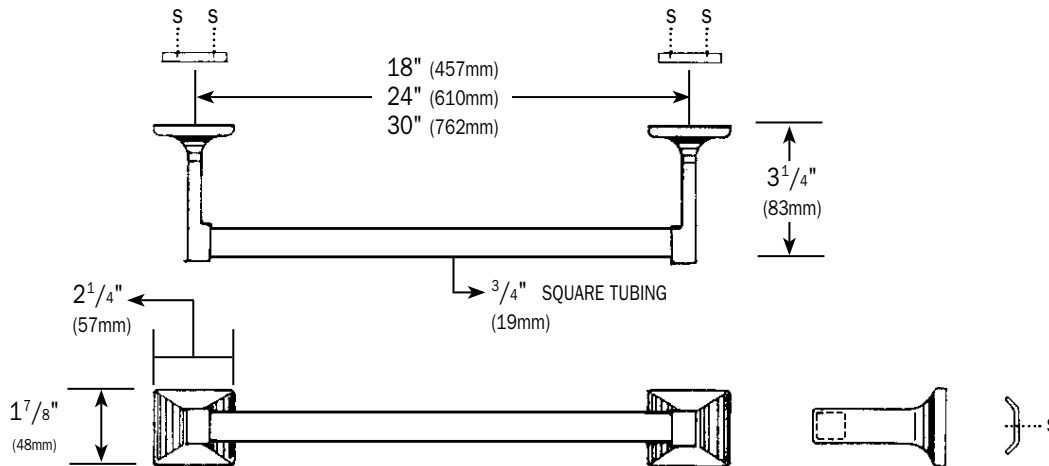
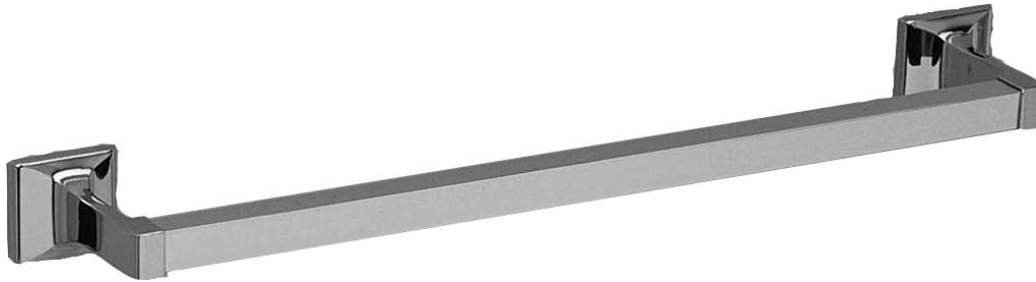
www.GrabBar.com • Fax 310/217-0653

910

Technical Data

Revised Jan. 2008

Zamac Towel Bar



Specification

Zamac Towel Bar shall be polished chrome-plated die cast Zamac. Flanges shall attach to concealed heavy-gauge steel mounting plates with set screws. Tubing for towel bars shall be 3/4" (19mm) square heavy-gauge steel. Length shall be [18" (457mm)] [24" (610mm)] [30" (762mm)].

Zamac Towel Bar shall be Model 910 as manufactured by Tubular Specialties Manufacturing, 13011 South Spring Street, Los Angeles, California 90061, tel 800-Grab Bar.



Installation

1. Mounting plates are surface mounted. It is the installer's responsibility to select fasteners that are appropriate for the wall or partition condition and application.
2. Unit attaches to concealed mounting plate with single set screw per flange.
3. For plaster or dry wall, provide in-wall backing complying with local building codes.
4. Accessories should be inspected periodically to make sure their attachment to the wall is not loosening.



TSM 910 Zamac Towel Bars are guaranteed against defects in workmanship and material for one year from shipping date.