



Tubular Specialties Manufacturing, Inc.

13011 South Spring Street, Los Angeles, CA 90061-1685

Phone 800/Grab Bar (800/472-2227) or 310/515-4801

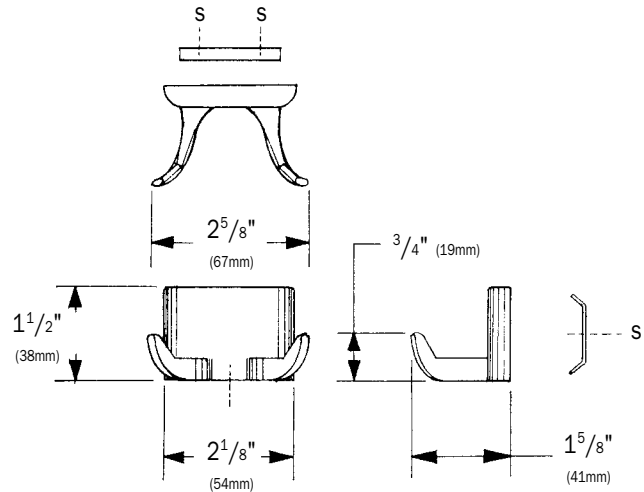
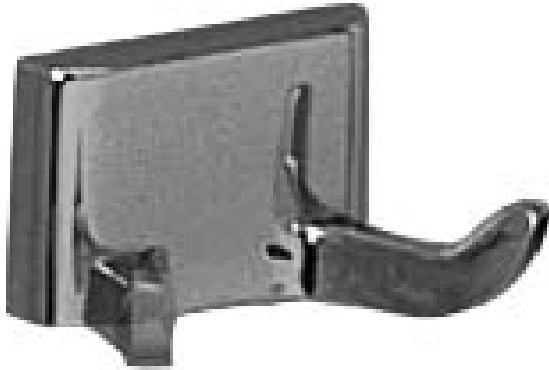
www.GrabBar.com • Fax 310/217-0653

905

Zamac Double Robe Hook

Technical Data

Revised Jan. 2008



Specification

Zamac Double Robe Hook shall be polished chrome-plated die cast Zamac. Hook shall attach to concealed heavy-gauge steel mounting plate with set screw.

Zamac Double Robe Hook shall be Model 905 as manufactured by Tubular Specialties Manufacturing, 13011 South Spring Street, Los Angeles, California 90061, tel 800-Grab Bar.



Installation

1. Mounting plate is surface mounted. It is the installer's responsibility to select fasteners that are appropriate for the wall or partition condition and application.
2. Unit attaches to concealed mounting plate with single set screw.
3. For plaster or dry wall, provide in-wall backing complying with local building codes.
4. Accessories should be inspected periodically to make sure their attachment to the wall is not loosening.



TSM 905 Zamac Double Robe Hook is guaranteed against defects in workmanship and material for one year from shipping date.