



Tubular Specialties Manufacturing, Inc.

13011 South Spring Street, Los Angeles, CA 90061-1685

Phone 800/Grab Bar (800/472-2227) or 310/515-4801

www.GrabBar.com • Fax 310/217-0653

823

Recessed Stainless Steel Soap Dish & Bar

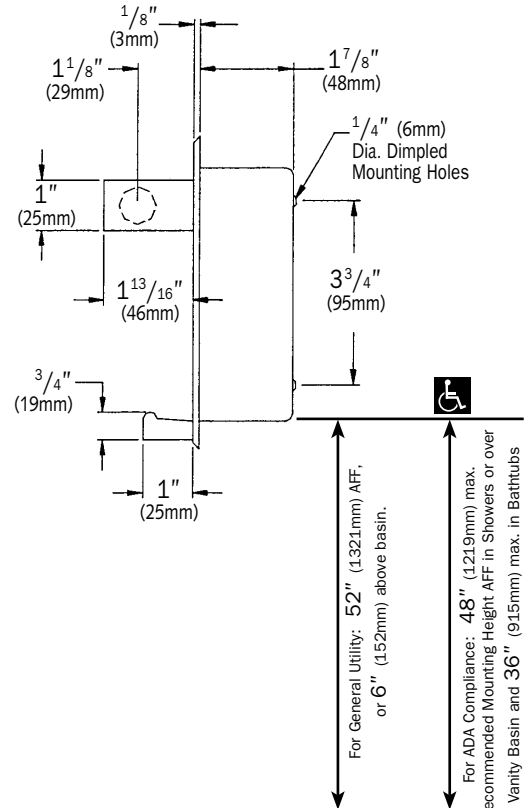
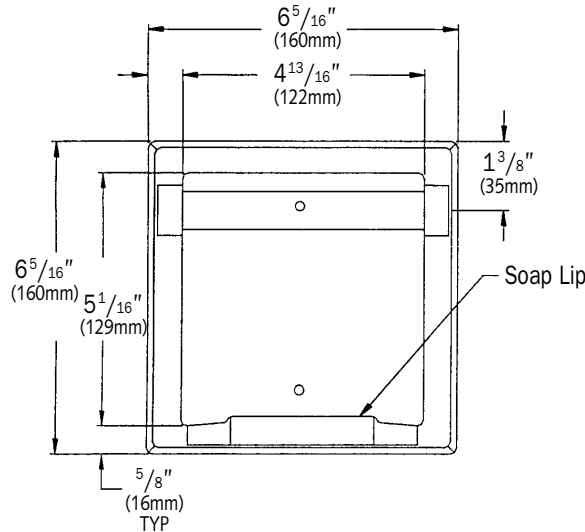
With Dry Wall Mounting Clamp

Technical Data

Revised Jan. 2008



Shown with Bright Finish
Model 823B



Rough Wall Opening

5 1/2"	Wide (140mm)
5 1/2"	High (140mm)
2"	Deep (51mm)



Specification

Recessed Mounted Soap Dish and Bar shall be of one-piece construction fabricated of alloy 18-8 type 304 stainless steel 22 gauge, drawn and seamless. Back shell shall have two (2) dimple holes for dry wall installation. A stainless steel raised lip shall be provided to prevent soap from slipping out of holder. Bar shall be held permanently between two (2) posts at top of unit.

All exposed surfaces shall be [satin] [bright] finish as chosen by option and indicated by code suffix S or B.

Recessed Stainless Steel Soap Dish and Bar shall be Model [823S] [823B] as manufactured by Tubular Specialties Manufacturing, 13011 South Spring Street, Los Angeles, California 90061, tel 800-Grab Bar.



Installation

- For compliance with ADA Accessibility Guidelines, unit should be installed so that the soap shelf is 48" (1219mm) maximum above finished floor (AFF) in showers or over vanity basins, and 36" (915mm) maximum AFF in bathtubs. For general utility, mount unit 52" (152mm) AFF or 6" (152mm) above basin.
- Rough wall opening is 5 1/2" wide x 5 1/2" high x 2" deep (140mm x 140mm x 51mm).
- Loosely attach dry wall clamp with 8-323 machine screws (supplied).
- Insert unit into wall opening and adjust clamp so that they grip surface inside opening.
- Fasten unit to wall opening with two (2) No. 10 self-tapping screws (supplied) through dimpled holes at back of shell.
- Secure unit by tightening screws.
- Accessories should be inspected periodically to make sure their attachment to the wall is not loosening.



TSM 823 Recessed Soap Dish & Bar is guaranteed against defects in workmanship and material for one year from shipping date.