



Tubular Specialties Manufacturing, Inc.

13011 South Spring Street, Los Angeles, CA 90061-1685
 Phone 800/CALL TSM (800/225-5876) or 310/515-4801
 online www.grabbar.com • Fax 310/217-0653

735-PHI2

Technical Data

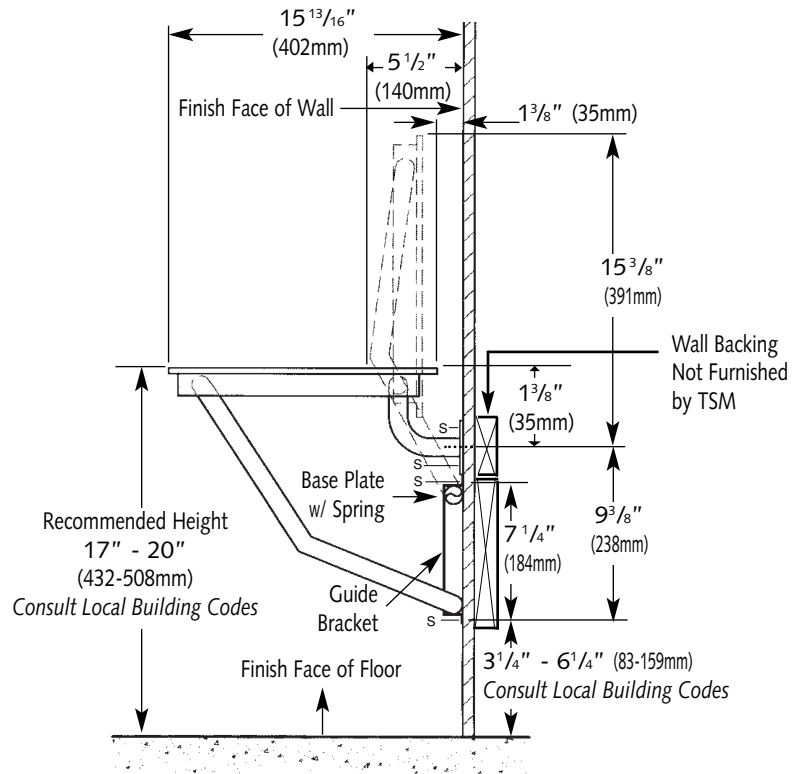
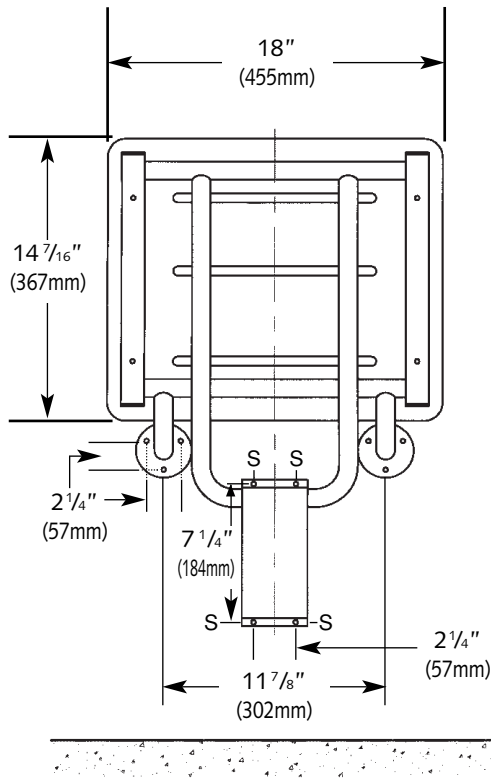
Revised Feb. 2001

Page 1 of 2

Shower/Dressing Area Seat



Folded Up Against Wall



Design Considerations

- Phenolic is a high pressure laminate which is sturdy and easy to clean. The surface is easy for most people to slide across because it is hard and smooth. Phenolic requires little or no maintenance other than regular cleaning, does not splinter and will not support bacterial growth. Slots provide convenient water drainage.
- In-wall backing is required for every shower seat installation; consult local codes to assure compliance.
- Grab bars should be specified in conjunction with all shower seats.
- The 735 will support 250 pounds of static load (1112 N) when correctly installed, complying with barrier-free accessibility guidelines (including ADAAG in U.S.A.).



Model Numbers

- 735-PHI2Standard Satin Finish Frame + Ivory One-Piece Top
- 735-PHI2/POWDPowdercoated Frame [Color: _____] + Ivory One-Piece Top
- 735-PHI2/PLATPlated Frame [Color: _____] + Ivory One-Piece Top

Plated Frame Finish Options

Bright Brass, Satin Brass, Antique Brass, Antique Bronze, Satin Bronze,
 Black Nickel, Satin Nickel, Bright Copper, Bright Gold (24K), Satin Gold (24K).

Powdercoated Frame Color Options

White, Biscuit, Almond, Parchment, Light Mocha,
 Taupe, Rosy Taupe, Wheat, Palomino, Sun Gold,
 Nutmeg, Vanilla, Navy, Slate Blue, Gray, Seafoam
 Green, Forest Green, Verdigris, Turquoise, Pink,
 Red, Black.



Operation

The guide bracket supports U-shaped legs which move up and down, allowing the seat to be lowered into position or raised to be folded parallel to the wall when not in use.

The spring at the top of the base plate holds the seat in an upright position. When seat is pulled down, legs are released from the spring and the seat folds down into sitting position.



Suggested Architectural Specification

TSM Model [735-PHI2] [735-PHI2/POWD] [735-PHI2/PLAT]
 Shower/Dressing Area Seat from Tubular Specialties Manufacturing, Inc., Los Angeles, California, 310/515-4801 or 800/Call TSM (800/225-5876). Frame: Stainless steel satin finish type 304 (18-8) 1 1/4" x 16 gauge square tubing (32x1.5mm) and 1" x 18 gauge round tubing (25x1.2mm). Flanges: Stainless steel satin finish type 304 (18-8) 8 gauge round 3" (4.2x76mm) diameter. Flanges have three 1/4" (6mm) mounting holes. Guide Bracket for Legs: All stainless steel type 304 (18-8); spring 24 gauge (0.6mm) spot

welded to heavy gauge base plate; guide bracket 16 gauge (1.6mm) formed construction with four 1/4" (6mm) mounting holes. (Optional - Frame powdercoated or plated color: ____.) Seat: One-piece 1/2" (13mm) thick solidly fused plastic laminate with drainage slots and matte finish melamine surfaces, ivory colored face sheets and black phenolic resin core; secured to frame with countersunk stainless steel machine screws and cap nuts. Can lock in upright position when not in use. Complies with barrier-free accessibility guidelines (including ADAAG in U.S.A.). Handing: [Right] [Left].



Materials/Workmanship

- Seat** One-piece solidly fused plastic laminate 1/2" thick (13mm) with matte-finish melamine surfaces, ivory colored face sheets and black phenolic resin core, integrally bonded (cannot be delaminated). Integral slots for water drainage. Bolted to frame with countersunk stainless steel machine screws and cap nuts.
- Frame** Stainless steel tubing type 304 (18-8) 1 1/4" x 16 gauge (32x1.5mm) square and 1" x 18 gauge (25x1.2mm) round with #4 satin finish.
- Mounting Flanges (2)** Stainless steel type 304 (18-8) 8 gauge round 3" (4.2x76mm) diameter. Underslung supports of 1" x 12 gauge (32x2.7mm) sleeves 1 1/2" (38mm) in length at top. Flanges have three 1/4" (6mm) mounting holes.
- Base Plate** Stainless steel heavy gauge type 304 (18-8).
- Spring** Stainless steel 24 gauge (0.6mm) type 304 (18-8), spot welded to base plate.
- Guide Bracket** Stainless steel 16 gauge (1.6mm) type 304 (18-8) satin finish, formed construction with four 1/4" (6mm) mounting holes.



Installation

1. The 735 is manufactured to hold 250 pounds (1112 N), but it is only as strong as the wall it is mounted on.
2. In-wall backing is required. If the shower is prefabricated, secure and appropriate backing must be provided by the shower stall manufacturer.
3. Seat is surface mounted to wall through in-wall backing with two mounting flanges at top and guide bracket below. While local codes must be complied with in mounting seat, the recommended seat height is 18" (457mm) above floor level. The template that is supplied with each seat will allow you to mount the seat at that height with mounting holes from finished floor for model at 4 3/8" & 12 5/8" for guide bracket and 12 1/2" & 14 1/8" for flanges.
4. The horizontal section of the U-shaped legs must be positioned in-between the base plate and cover guide bracket before seat is secured to wall.
5. It is the installer's responsibility to select fasteners that are appropriate for the wall condition and application; TSM does not include fasteners with shower or tub seats.

Guarantee TSM 735-PHI2 Shower Seats are guaranteed against defects in workmanship and material for one year from shipping date.