



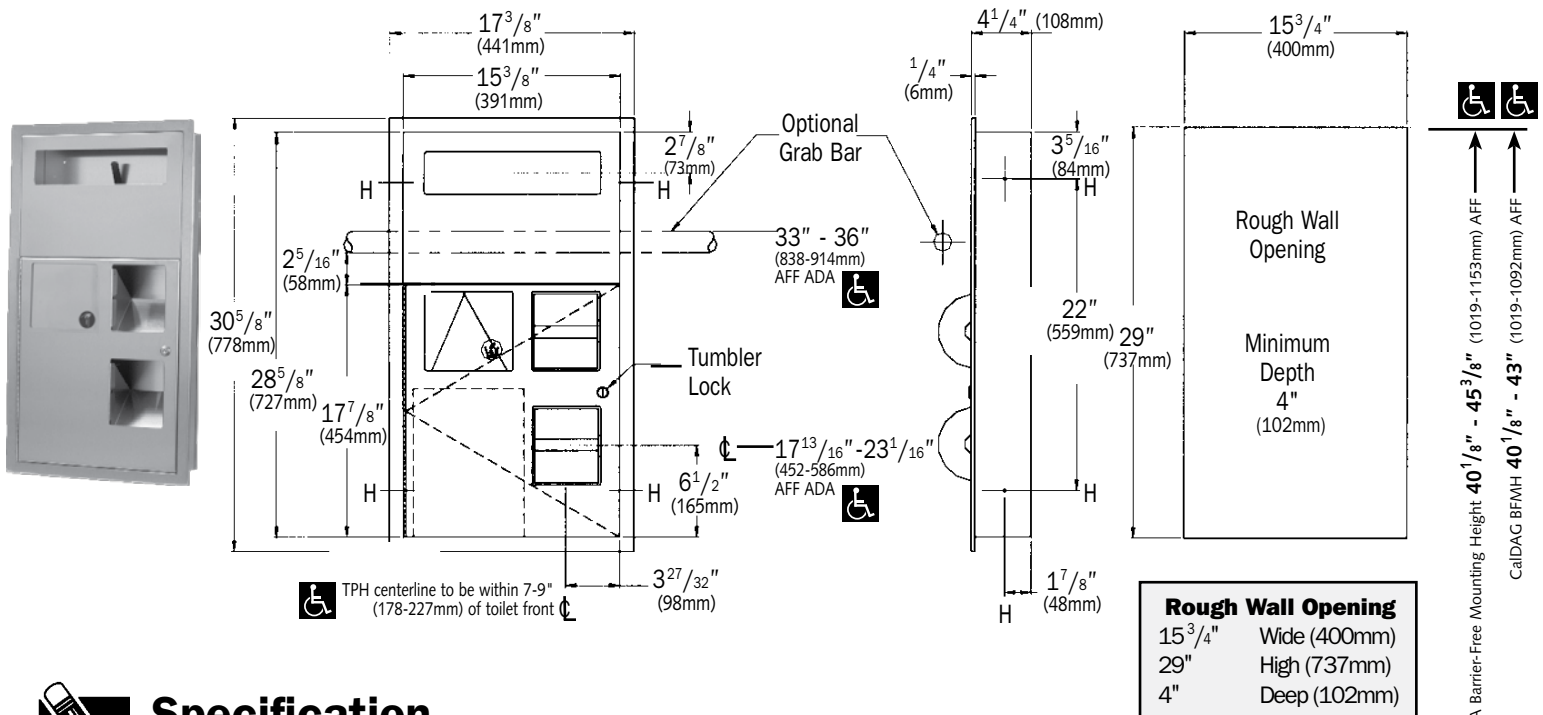
Tubular Specialties Manufacturing, Inc.
 13011 South Spring Street, Los Angeles, CA 90061-1685
 Phone 800/Grab Bar (800/472-2227) or 310/515-4801
 www.GrabBar.com • Fax 310/217-0653

5364

Technical Data

Revised September 2007
 Page One of Two

Recessed Seat Cover & Toilet Paper Dispenser with Sanitary Disposal



ADA Barrier-Free Mounting Height 40¹/₈" - 45³/₈" (1019-1153mm) AFF
 CalDAG BFMH 40¹/₈" - 43" (1019-1092mm) AFF



Specification

Recessed Seat Cover and Toilet Paper Dispenser with Sanitary Napkin Disposal shall hold and dispense 1000 paper seat covers and two rolls standard or 1800 sheet 4¹/₂" x 5¹/₄" (114mm x 133mm) toilet paper. Removable waste container shall have a capacity of 1.3 gal (4.9 liters) or 300 in³ (.005 m³). Seat cover dispenser panel and toilet paper dispenser door shall be fabricated of alloy 18-8 stainless steel, type 304, 18 gauge; face frame and cabinet shall be 22 gauge. All exposed surfaces shall have No. 4 satin finish and be protected by plastic PVC film easily removed after installation. Seat cover cut-out shall have a fully-deburred edge for snag-free dispensing and user safety. Disposal door shall be hung on spring-tensioned hinges and shall have international graphic waste disposal symbol. Toilet paper dispenser/disposal door shall be attached to cabinet at

side with a full-length ³/₁₆" (5mm) dia. stainless steel multi-staked piano hinge and shall be held closed with a tumbler lock keyed alike to other TSM Washroom Equipment. Face trim shall be 1" (25mm) wide formed from one piece with no mitres, welding or open seams and have 1/4" (6mm) square return to face of wall. Structural assembly of all components shall be of welded construction. Cabinet shall include theft- and vandal-resistant rollers that shall be of molded high-impact resistant plastic with integral molded-in stainless steel endpins and two (2) rollers shall be supplied.

Recessed Seat Cover & Toilet Paper Dispenser with Sanitary Disposal shall be Model 5364 as manufactured by Tubular Specialties Manufacturing, 13011 South Spring Street, Los Angeles, California 90061, tel 800-Grab Bar.



Installation

- Unit is mounted in wall recess through concealed mounting holes provided. Note that top of rough wall opening is 13/16" (21mm) below top of face trim. It is the installer's responsibility to select fasteners that are appropriate for the wall or partition condition and application. For plaster or dry wall, provide in-wall backing complying with local building codes.
- For ADAAG compliance, the centerline of the TP Dispenser should be located within 7" - 9" (178-227mm) of the front of

the toilet and the TP Dispenser opening bottom should be above 15" (381mm) minimum above finished floor (AFF), and the Seat Cover Dispenser opening centerline should be no higher than 48" (1219mm) maximum AFF.

- An optional grab bar (not provided) at 33" - 36" (838-914mm) AFF to the top the the bar should allow the service door top to clear the bottom of the bar when opening the door.



TSM 5364 Recessed Seat Cover & Toilet Paper Dispenser is guaranteed against defects in workmanship and material for one year from shipping date.



Operation

Seat covers are self-feeding until supply is depleted. Toilet paper rolls feed freely until depleted; level of supply is constantly visible for low level warning. Push self-closing disposal door to deposit waste material. Waste receptacle is emptied manually on cycle determined by maintenance needs.

Toilet paper rolls, paper seat covers and waste receptacle are serviced by unlocking and opening door; locked door prevents inadvertent dumping and unauthorized removal. Waste container safety-edged finger hole provides convenient grip for service. Toilet paper spindles are carried in vandal-resistant sub-frame accessible when door is opened.



Guarantee

TSM 5364 Recessed Seat Cover & TP Dispenser is guaranteed against defects in workmanship and material for one year from shipping date.