



Since 1966

# Tubular Specialties Manufacturing, Inc.

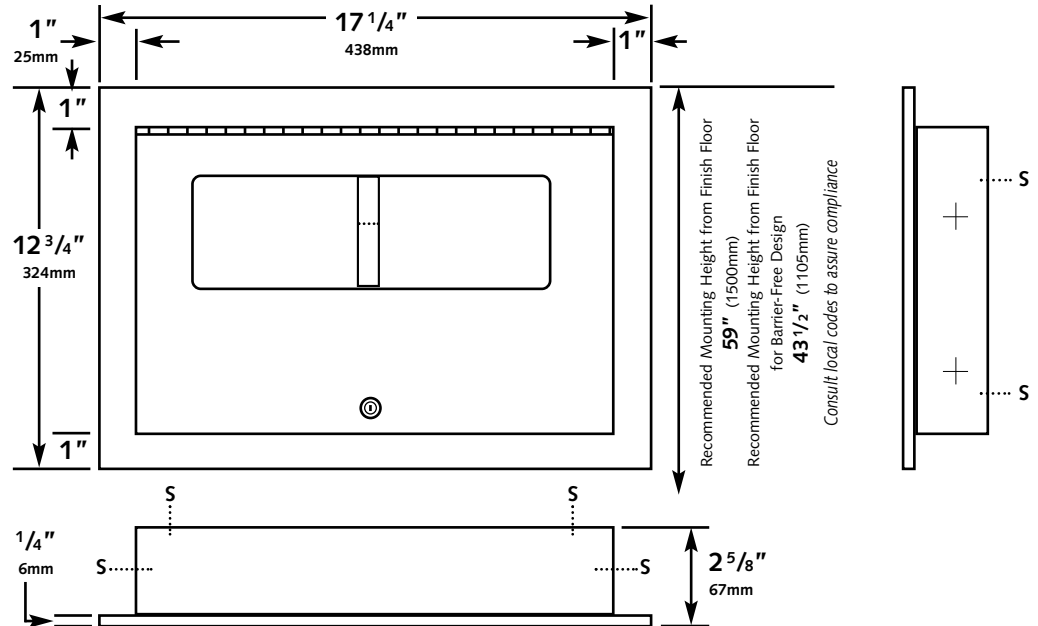
13011 South Spring Street, Los Angeles, CA 90061-1685  
Phone 800/CALL TSM (800/225-5876) or 310/515-4801  
online www.grabbar.com • Fax 310/217-0653

# 5315

## Technical Data

Revised July 2001

# Recessed Toilet Seat Cover Dispenser



## Suggested Architectural Specification

TSM Model [5201] [5201-S4] Recessed Toilet Seat Cover Dispenser from Tubular Specialties Manufacturing, Inc., Los Angeles, California, 310/515-4801 or 800/Call TSM (800/225-5876). Construction: Stainless steel type 304 (18-8) 22 gauge (0.8mm) satin finish,

welded. Flange: Drawn, one-piece seamless construction with no mitered corners. Door: Secured to cabinet with full-length stainless steel piano hinge and tumbler lock. Capacity: 500 single or half-fold toilet seat covers.



## Operation

Dispenses single or half-fold toilet seat covers. Door unlocks with key to fill dispenser. Capacity: 500 toilet seat covers.



## Materials/Workmanship

- Cabinet** Stainless steel type 304 (18-8) 22 gauge satin finish (0.8mm). Flange is drawn, one-piece seamless construction with no mitered corners.
- Door** Stainless steel type 304 (18-8) 22 gauge satin finish. Full-length stainless steel piano hinge is screwed to cabinet. Pin tumbler lock is centered on door.



## Installation

- Recommended mounting height from finish floor to top of cabinet (not flange) is 59" (1500mm) standard and 43 1/2" (1105mm) for barrier-free design compliance.
- Provide framed wall opening 15 3/4" wide x 11 1/4" height with a minimum recessed depth from finish face of wall of 2 5/8" (400x286x67mm).
- Beware of construction from opposite wall that may protrude into rough wall opening. Position unit and coordinate with mechanical engineer to avoid pipes, vents and conduits previously installed in wall.
- Do not install units back-to-back in a common wall unless the finish-to-finish wall thickness is 5 1/2" (140mm) minimum.
- After installing shims as required to give a solid base, complete installation using screws provided by manufacturer as locations marked by an "S".

Manufacturer reserves the right to alter design or dimensions without formal notice and without incurring obligation.



### Guarantee

TSM 5315 Recessed Toilet Seat Cover Dispenser is guaranteed against defects in workmanship and material for one year from shipping date.