



Tubular Specialties Manufacturing, Inc.

13011 South Spring Street, Los Angeles, CA 90061-1685

Phone 800/Grab Bar (800/472-2227) or 310/515-4801

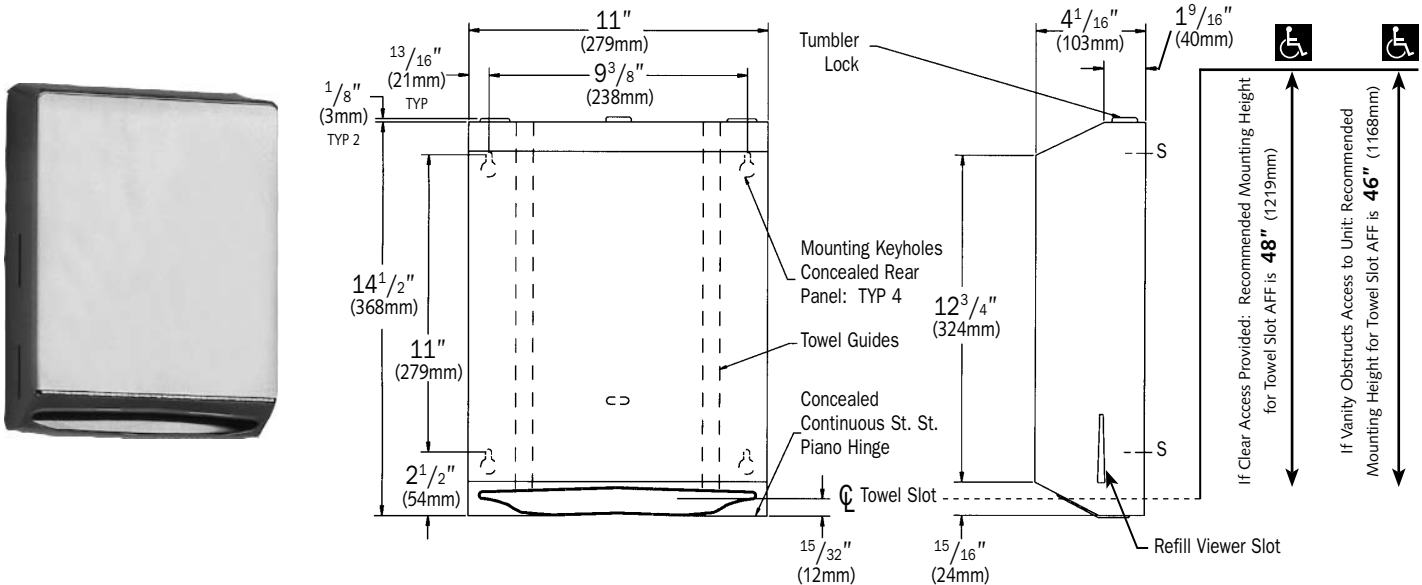
www.GrabBar.com • Fax 310/217-0653

5230

Surface Mounted Paper Towel Dispenser

Technical Data

Revised Jan. 2008



Specification

Surface Mounted Paper Towel Dispenser shall hold and dispense 525 standard multi-fold or 400 standard C-fold paper towels and shall be fabricated from 22 gauge type 304 stainless steel alloy 18-8. All exposed surfaces shall have a No. 4 satin finish and shall be protected during shipment with PVC film easily removable after installation. Towel dispensing slot shall have a fully hemmed-in rolled edge for snag-free dispensing and user safety. Dispenser door shall be attached to the bottom of unit with a concealed full-length ³/₁₆" dia. (4.8mm) heavy-duty stainless steel multi-staked piano hinge and shall be held closed with a tumbler lock keyed alike to other TSM washroom

equipment. Structural assembly of body and door components shall be of welded construction. Unit shall be provided with refill viewer slots on each side. Unit shall have internal towel stack guides. Wall below unit shall be protected against accidental door drop by self-limited body and hinge construction. Dispenser shall enable simplified installation by hanging on pre-installed screw pattern (by others).

Surface Mounted Paper Towel Dispenser shall be Model 5230 as manufactured by Tubular Specialties Manufacturing, 13011 South Spring Street, Los Angeles, California 90061, tel 800-Grab Bar.



Operation

Towels are self-feeding as withdrawn by hand until supply is depleted. Unit may be reloaded with a partial load in place

and will continue to feed properly. Low level of towel supply is indicated from 25% capacity to empty. Locking door prevents unauthorized access or removal.



Installation

1. To comply with ADA Accessibility Guideline, install unit so that towel dispenser slot is 48" (1219mm) maximum above finish floor (AFF) if clear floor access is provided, or 46" (1168mm) maximum AFF if side reach over an obstruction (vanity) is only provided.
2. It is the installer's responsibility to select fasteners that are appropriate for the wall or partition condition and application.
3. Unit is surface mounted on wall or partition using five

- fasteners (by others) through concealed mounting holes provided. Four mounting holes through back are keyhole slots for ease in hanging unit on pre-installed screws. Center top mounting hole is horizontal slot for ease of adjustment and vandal-resistant locking.
4. Accessories should be inspected periodically to make sure their attachment to the wall is not loosening.

Guarantee

TSM 5230 Surface Mounted Paper Towel Dispenser is guaranteed against defects in workmanship and material for one year from shipping date.