



Since 1966

Tubular Specialties Manufacturing, Inc.

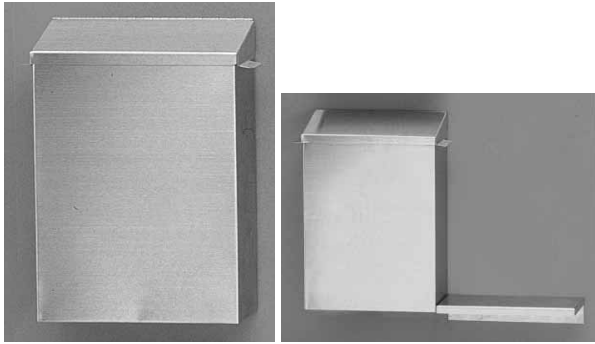
13011 South Spring Street, Los Angeles, CA 90061-1685
Phone 800/CALL TSM (800/225-5876) or 310/515-4801
online www.grabbar.com • Fax 310/217-0653

5134 5135

Technical Data

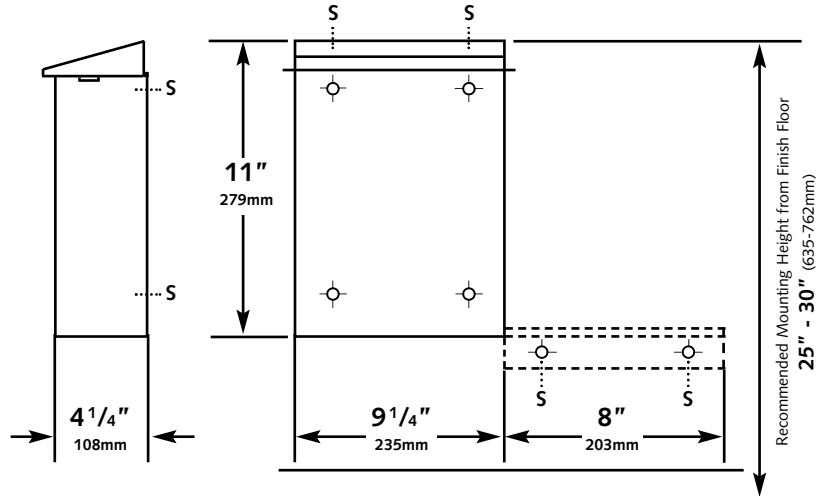
Revised June 2001

Surface Mounted Napkin Disposal



5134

5135



Design Considerations

Disposal complies with GSA (Government Service Administration) Standard Detail #6-13-36.



Model Numbers

□ 5134Surface Mounted Napkin Disposal

□ 5135Surface Mounted Napkin Disposal with Shelf



Suggested Architectural Specification

TSM Model [5134] [5135] Surface Mounted Napkin Disposal from Tubular Specialties Manufacturing, Inc., Los Angeles, California, 310/515-4801 or 800/Call TSM (800/225-5876).
Construction: Stainless steel type 304 (18-8) 22 gauge (0.8mm)

Construction: satin finish, formed and welded. Doors (2): Attached to cabinet with full-length piano hinges; cover slopes.



Operation

Cover flips up for disposal.



Materials/Workmanship

- Cabinet** Stainless steel type 304 (18-8) 22 gauge satin finish (0.8mm), formed and welded construction. Capacity: 396 cubic inches (0.006m³).
- Door** Stainless steel type 304 (18-8) 22 gauge satin finish. Hung with heavy-duty stainless steel piano hinge.
- Shelf** Stainless steel type 304 (18-8) 22 gauge satin finish (0.8mm), formed and welded construction.



Installation

- Unit is surface mounted on wall using screws provided by manufacturer as locations marked by an "S".
- For plaster or dry wall, provide in-wall backing complying with local building codes.
- For other surfaces, provide fiber plugs or expansion

- shields for use with screws provided by manufacturer, or provide toggle bolts or expansion bolts.
- Recommended mounting height from finish floor to top of disposal is 25" - 30" (635-762mm).

Manufacturer reserves the right to alter design or dimensions without formal notice and without incurring obligation.



Guarantee

TSM 5134 & 5135 Surface Mounted Napkin Disposals are guaranteed against defects in workmanship and material for one year from shipping date.