

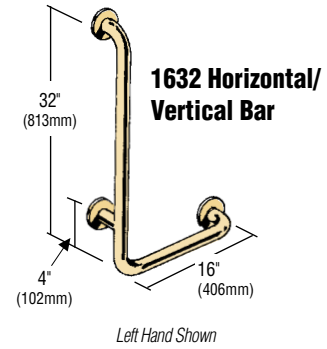


Real brass grab bars in alloy CDA 274 can add an elegant touch to any bathroom. The bars are available in 1 1/4" (Q Series) and 1 1/2" (H Series) O.D. (32 & 38mm) with CS-1 snap-lock flanges. The finish is bright, also known as polished. Fastener kits are ordered separately (see page 23).

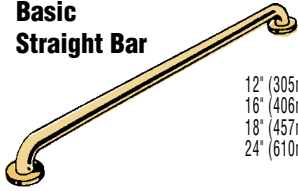
Standard Brass Models

Other sizes available upon request.

Brass that is polished to a mirror bright finish is frequently specified, and TSM keeps bright brass grab bars in stock to accommodate this demand. As an alternative to bright, consider the advantage of satin brass. The lightly brushed finish stays beautiful longer because it minimizes fingerprints and small scratches (add suffix /SB to model number).

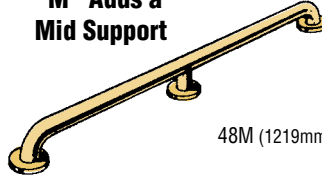


Basic Straight Bar

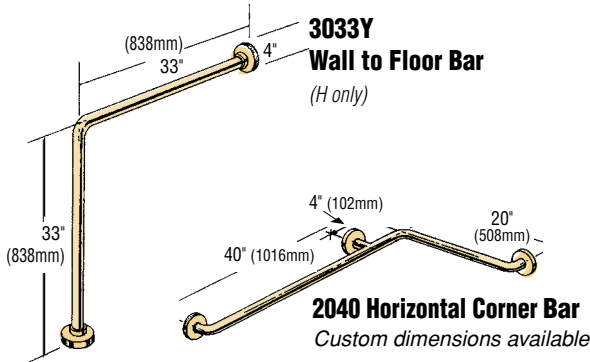


12" (305mm) 30" (762mm)
 16" (406mm) 32" (813mm)
 18" (457mm) 36" (914mm)
 24" (610mm) 42" (1067mm)

"M" Adds a Mid Support



48M (1219mm)



3033Y
Wall to Floor Bar
 (H only)

2040 Horizontal Corner Bar
 Custom dimensions available

Bright Brass Grab Bar Finish Series

Series	Description
Q/CS-1/BB	Uncoated
Q/CS-1/BB/CL	Clear Coated
Q/CS-1/BB/P	Uncoated with Peened Non-Slip Grip
Q/CS-1/BB/CL/ASLP	Clear Coated with Anti-Slip Coating
H/CS-1/BB	Uncoated
H/CS-1/BB/CL	Clear Coated
H/CS-1/BB/P	Uncoated with Peened Non-Slip Grip
H/CS-1/BB/CL/ASLP	Clear Coated with Anti-Slip Coating

1 1/2" O.D.
1 1/4" O.D.

Add model numbers shown above after Q or H.
 For example, Q-12/CS-1/BB or H-1632/CS-1/BB/CL, Left Hand

Real Brass vs. Plated Brass

TSM offers real brass bars at less cost than plated brass over stainless steel. They look the same but have some differences - for example, real brass is a softer metal than stainless steel. Here's a guide:

	Real Brass Uncoated (suffix BB)	Real Brass, Clear Coated (suffix BB/CL)	Plated Brass (suffix PLBB)
Available with non-slip grip	X (Peened)	X (Anti-Slip)	X (Knurled, Ripple Grip™ or Anti-Slip)
Scratches can be polished out	X		
Many models in stock		X	
Requires polishing	X		
Available in any size tubing and flange style			X
Available in Q or H with CS-1 flange	X	X	Available in any size or flange
Strength of stainless steel			X
Non-tarnishing base metal			X
Protective coat to prevent tarnish		X	X

Installation

The selection of appropriate fasteners for a particular application is the installer's responsibility. It is important to evaluate installation conditions because an accessory is only as strong as its anchoring devices and the wall on which it is mounted. TSM offers optional stainless steel screws and mounting kits for grab bars (see page 23).

The effectiveness of grab bars, shower seats, and tub seats as safety accessories depends entirely on a secure installation.

All TSM grab bars and seats exceed U.S. established guidelines for strength. However, it is the responsibility of the design/build/install team to evaluate the specific wall conditions to determine the appropriate fasteners.

Please note all grab bars, shower seats and tub seats require backing. All grab bars and seats must be checked frequently to ensure that the installation is secure and the product is in good working condition.