

**TSM's** numbering system is straightforward and easy to comprehend. Each part of the model number describes either the configuration or a feature of the bar. In most cases, the model number corresponds to the dimensions of the bar. For instance, in the example below the model 1632 measures 16" horizontal x 32" vertical centerline. A modification of the bar at 17" horizontal x 21" vertical would be model 1632M @ 17" x 21".

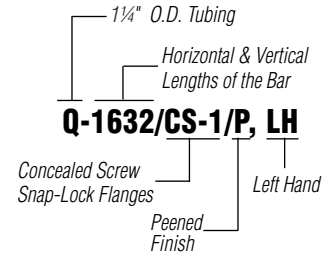
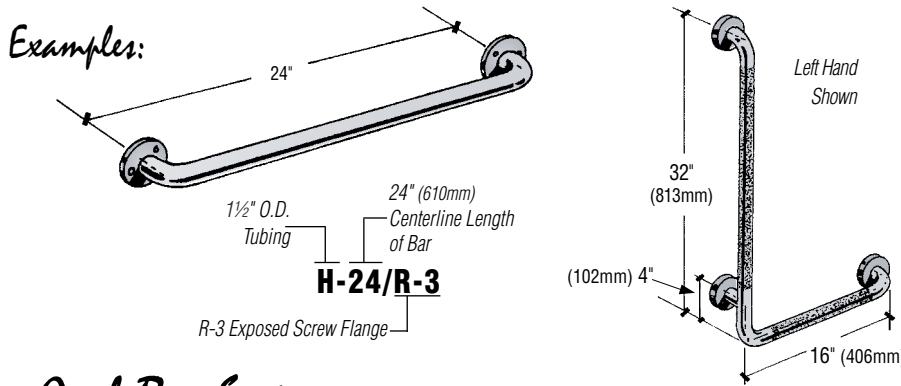
## The Numbering System...

MODEL NUMBER	=	Tubing Outside Diameter	—	Configuration (or length of bar)	/	Flange	/	Finish, Handing
		S = 1" (25mm) Q = 1¼" (32mm) H = 1½" (38mm)		See Pages 18-22		See Page 15		See Below

**S** stands for 'standard' and represents 1" tubing, for when TSM first began, 1" O.D. was the most commonly ordered size. It is still the tubing of choice for children (and some adults prefer the small grip as well.) However, 1" tubing does not meet any building codes. 18 gauge is standard; 16 gauge is available upon request.

**Q** stands for 'quarter' and represents 1¼" O.D. tubing. Q is the economical choice for building projects that do not require 1½" O.D. It is perhaps the easiest tubing size for adults to grasp. 18 gauge is standard; 16 and 12 gauge are available upon request.

**H** stands for 'half' and represents 1½" O.D. tubing. H is a heavy-duty size tubing that serves the dual purpose of providing either a handhold or, if preferred, a 'shelf' to lean upon. H meets or exceeds all U.S. building codes. 18 gauge is standard; 16 and 12 gauge are available upon request.



Right or left handing is determined from the viewpoint of the grab bar user. For shower and tub entry bars, the vertical arms are handed from the point of entry, not exit.

## Grab Bar Series All Type 304 Stainless Steel

	Finish	S	Q	H
Satin	Satin	S/CS-1	Q/CS-1	H/CS-1
	Peened	S/CS-1/P	Q/CS-1/P	H/CS-1/P
	Knurled	S/CS-1/K	Q/CS-1/K	H/CS-1/K
	Anti-Slip	S/CS-1/ASLP	Q/CS-1/ASLP	H/CS-1/ASLP
	Ripple Grip™	N/A	Q/CS-1/RG	H/CS-1/RG
Bright	Bright	S/CS-1/B	Q/CS-1/B	H/CS-1/B
	Bright & Peened	S/CS-1/B/P	Q/CS-1/B/P	H/CS-1/B/P
	Bright & Knurled	S/CS-1/B/K	Q/CS-1/B/K	H/CS-1/B/K
	Bright & Anti-Slip	S/CS-1/B/ASLP	Q/CS-1/B/ASLP	H/CS-1/B/ASLP
	Bright & Ripple Grip™	N/A	Q/CS-1/B/RG	H/CS-1/B/RG
Powdercoated	Powdercoated	S/CS-1/POWD	Q/CS-1/POWD	H/CS-1/POWD
	Powdercoated & Anti-Slip	S/CS-1/POWD/ASLP	Q/CS-1/POWD/ASLP	H/CS-1/POWD/ASLP
	Powdercoated & Ripple Grip™	N/A	Q/CS-1/POWD/RG	H/CS-1/POWD/RG
Plated	Plated	S/CS-1/PLAT	Q/CS-1/PLAT	H/CS-1/PLAT
	Plated & Knurled	S/CS-1/PLAT/K	Q/CS-1/PLAT/K	H/CS-1/PLAT/K
	Plated & Anti-Slip	S/CS-1/PLAT/ASLP	Q/CS-1/PLAT/ASLP	H/CS-1/PLAT/ASLP
	Plated & Ripple Grip™	N/A	Q/CS-1/PLAT/RG	H/CS-1/PLAT/RG

All series above feature the CS-1 flange; substitute D-1, FS-1, etc. for alternate flange choice. Add configurations shown on pages 18-23 after S, Q or H to complete model number. For example, Q-12/CS-1/P or H-2040/FS-1/POWD in Almond. See page 3 for complete powdercoating and plating color chart.