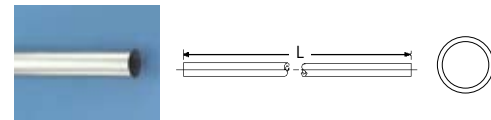


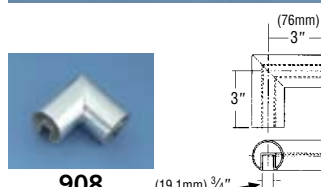
	Satin Finish Stainless Steel		Bright Finish Stainless Steel		Clean Anodized Aluminum		Satin Finish Brass		Bright Finish Brass	
	2" O.D.	2½" O.D.	2" O.D.	2½" O.D.	2" O.D.	2½" O.D.	2" O.D.	2½" O.D.	2" O.D.	2½" O.D.
904 Channel Tubing	GT-904	GL-904	GT-904B	GL-904B	GT-904AA	GL-904AA	GT-904SB	GL-904SB	GT-904BB	GL-904BB
906 Round Tubing	GT-906	GL-906	GT-906B	GL-906B	GT-906AA	GL-906AA	GT-906SB	GL-906SB	GT-906BB	GL-906BB
908 Horizontal Channel Mitered Corner	GT-908	GL-908	GT-908B	GL-908B	GT-908AA	GL-908AA	GT-908SB	GL-908SB	GT-908BB	GL-908BB
910 Vertical Channel Mitered Corner	GT-910	GL-910	GT-910B	GL-910B	GT-910AA	GL-910AA	GT-910SB	GL-910SB	GT-910BB	GL-910BB
912 Mitered Corner (no channel)	GT-912	GL-912	GT-912B	GL-912B	GT-912AA	GL-912AA	GT-912SB	GL-912SB	GT-912BB	GL-912BB
922 Internal Dowel Required for each channel connection. Slips inside to connect components. Adhesive included.	GT-922	GL-922	GT-922	GL-922	GT-922	GL-922	GT-922	GL-922	GT-922	GL-922
924 End Cap Press fits into tubing ends with or without channel.	GT-924	GL-924	GT-924B	GL-924B	GT-924AA	GL-924AA	GT-924SB	GL-924SB	GT-924BB	GL-924BB
948 Cladding Attaches to shoe with silicon, epoxy or two-way glazing tape.	GU-948	GU-948	GU-948B	GU-948B	N/A	N/A	GU-948SB	GU-948SB	GU-948BB	GU-948BB
950 Cladding Same as 948.	GU-950	GU-950	GU-950B	GU-950B	N/A	N/A	GU-950SB	GU-950SB	GU-950BB	GU-950BB
958 Cladding End Cap Same as 948. Companion to 938.	GU-958	GU-958	GU-958B	GU-958B	N/A	N/A	GU-958SB	GU-958SB	GU-958BB	GU-958BB
960 Cladding End Cap Same as 948. Companion to 940.	GU-960	GU-960	GU-960B	GU-960B	N/A	N/A	GU-960SB	GU-960SB	GU-960BB	GU-960BB

TUBING


- STAINLESS STEEL:** Type 304 in satin or bright finish, 2" or 2½" O.D. (51or64mm) x 16 gauge (.065" wall). Channel Tubing: Length 10' (3048mm), channel depth 1½" (38mm) Round Tubing: Length 20' (6096mm)
- ALUMINUM:** Alloy 6063T5 in clear anodized or mill finish, 1.9" O.D. x .145" wall (48x3.7mm) or 2½" O.D. x 1/8" wall (64x29mm). Channel Tubing: Length 20' (6096mm), channel depth 1-1/8" (29mm) Round Tubing: Length 20' (6096mm)
- BRASS:** Alloy CDA 260 in satin or bright finish, 2" or 2½" O.D. (51or64mm) x 16 gauge (.065" wall). Channel Tubing: Length 10' (3048mm), channel depth 1-1/8" (29mm) Round Tubing: Length 12' (3658mm)

NOTE: Other tubing sizes are available, ranging from 1½"-4" O.D. (38-102mm).






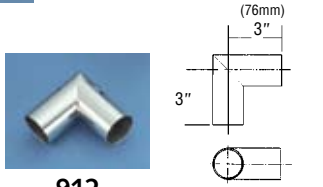
904



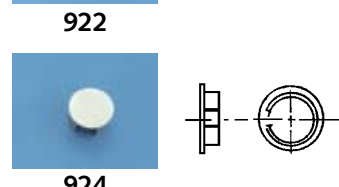
908



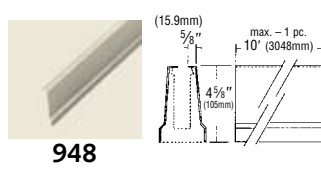
910



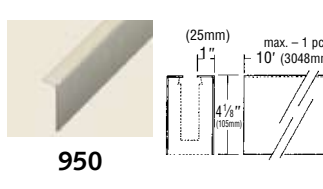
912



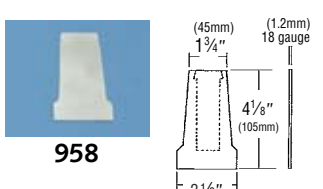
924



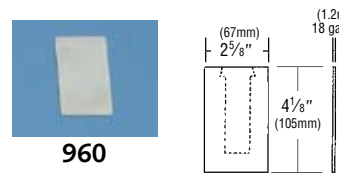
948



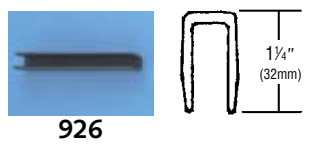
950



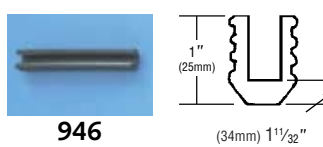
958



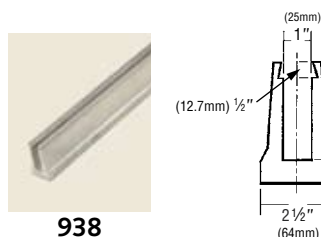
960



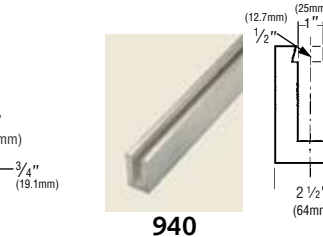
926



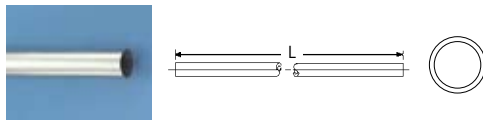
946



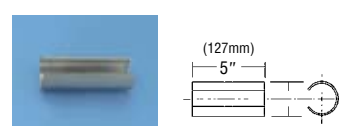
938



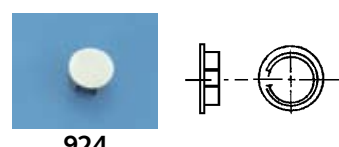
940



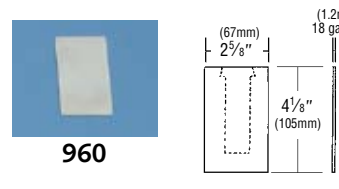
906



922



938



940

	Universal Application
926 Channel Tubing Protective Insert Rigid PVC protects glass panels inside channel tubing. Length 10' (3048mm).	GU-926
938 Shoe Aluminum alloy 6063T5. Optional hole drilling pattern accommodates ½" (12.7mm) cap screws (provided by others), 12" on center (305mm). Length 12' (3658mm).	GU-938
940 Shoe Same as 938, except lengths are 10' and 20' (3048/6096mm). Heavy Duty.	GU-940
946 Shoe Protective Insert Resilient EPDM setting block protects glass panel inside shoe.	GU-946